

# Service Manual

---

## **SECTION 4**

- **Compressor Service Valves and Fittings**
  - Heavy Duty and Standard Models
  - Super Compact (“Mini”) Models
- **Service Parts**

---

**LAST REVISION 08/98**

SUPERSEDES FORMS: 180.72-NM • 180.72-NM2 • 180.72-RP • YA77-401



**Climate Control Inc.**

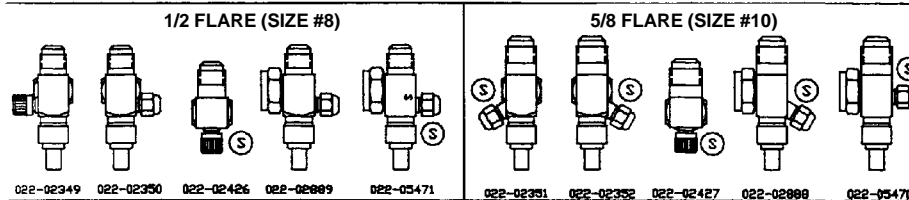
**A DEMIRCO COMPANY**



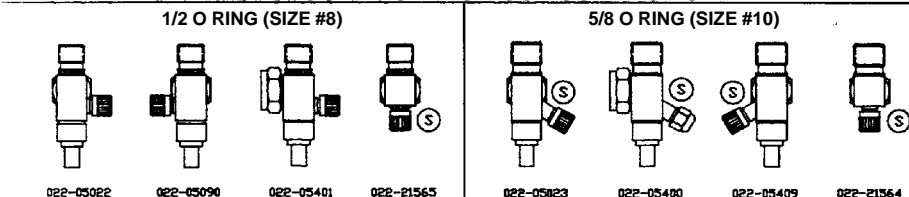
# Compressor Service Valves and Fittings

## HEAVY DUTY & STANDARD COMPRESSOR VALVES & FITTINGS

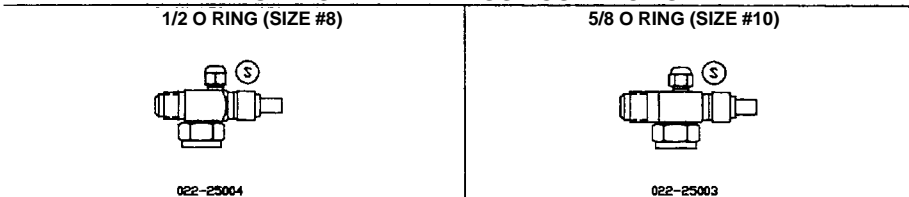
### ROTOLOCK — FLARE HOSE CONNECTION



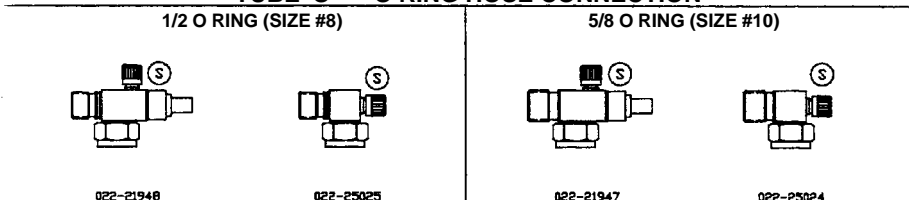
### ROTOLOCK — O RING HOSE CONNECTION



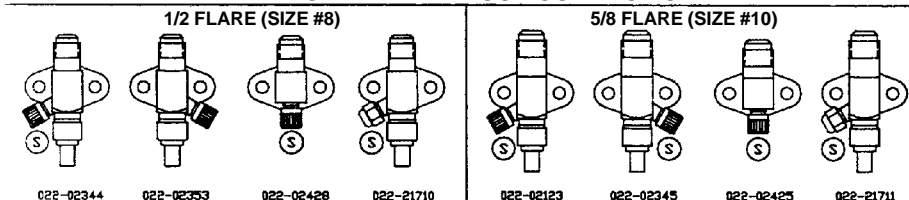
### TUBE 'O' — FLARE HOSE CONNECTION



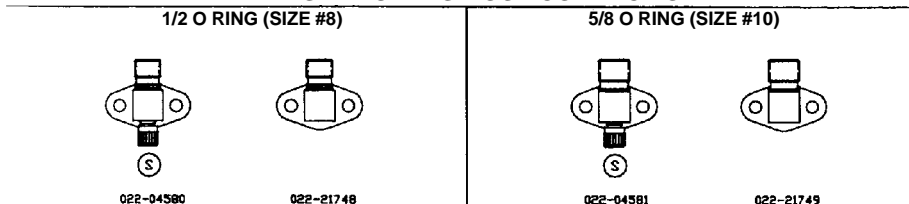
### TUBE 'O' — O RING HOSE CONNECTION



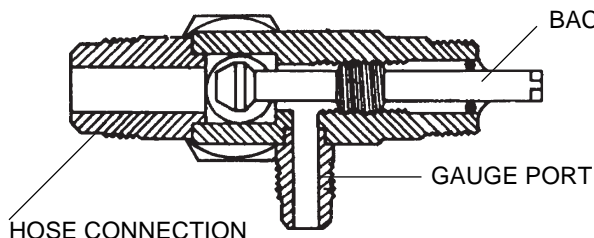
### FLANGE — FLARE HOSE CONNECTION



### FLANGE — O RING HOSE CONNECTION



(S) = SCHRAEDER VALVE INSTALLED



Turn valve stem all the way forward (clockwise) to shut off connecting line. This is "front seating". Turn valve stem all the way backward (counter-clockwise) to shut off gauge port and allow connection of service line (hose) to gauge port. This is "back seating". In normal operation valve stem is "back seated" to allow full flow through the valve.



## SUPER-COMPACT (MINI) COMPRESSOR VALVES & FITTINGS

YOKE — FLARE HOSE CONNECTION	
<p>1/2 FLARE (SIZE #8)</p>	<p>5/8 FLARE (SIZE #10)</p>
YOKE — O RING HOSE CONNECTION	
<p>1/2 O RING (SIZE #8)</p>	<p>5/8 O RING (SIZE #10)</p>
FLANGE — FLARE HOSE CONNECTION	
<p>1/2 FLARE (SIZE #8)</p>	<p>5/8 FLARE (SIZE #10)</p>
R - 134a VALVES & FITTINGS	
ROTOLOCK — O RING HOSE CONNECTION	
<p>1/2 O RING (SIZE #8)</p>	<p>5/8 O RING (SIZE #10)</p>
FLANGE — O RING HOSE CONNECTION	
<p>1/2 O RING (SIZE #8)</p>	<p>5/8 O RING (SIZE #10)</p>
YOKE — O RING HOSE CONNECTION	
<p>1/2 O RING (SIZE #8)</p>	<p>5/8 O RING (SIZE #10)</p>
TUBE 'O' — FLARE HOSE CONNECTION	
<p>1/2 FLARE (SIZE #8)</p>	<p>5/8 FLARE (SIZE #10)</p>
TUBE 'O' — O RING HOSE CONNECTION	
<p>1/2 O RING (SIZE #8)</p>	<p>5/8 O RING (SIZE #10)</p>

Ⓢ = SCHRAEDER VALVE INSTALLED

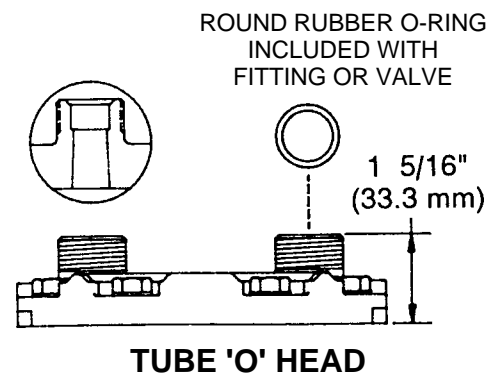
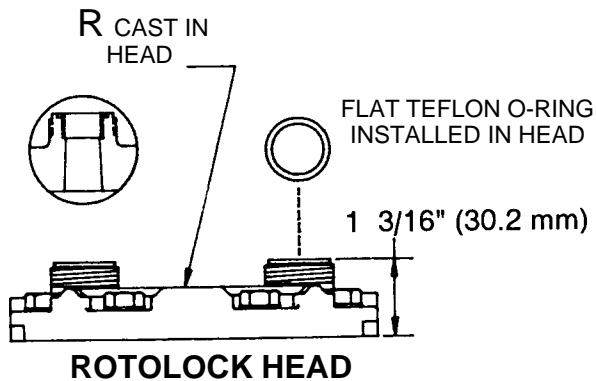
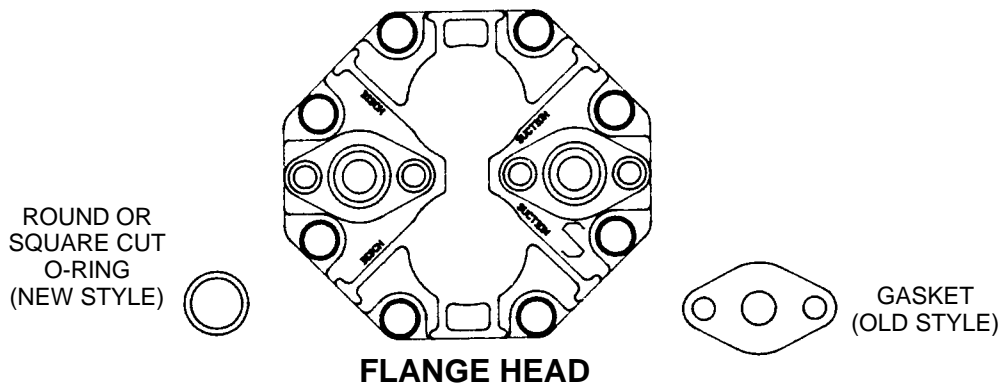
**NOTE:** SIZE #8 O RING HOSE CONNECTION = 3/4" - 16 UNC THREAD SIZE  
 SIZE #10 O RING HOSE CONNECTION = 7/8" - 14 UNC THREAD SIZE

S88-21923 REV K



# Service Parts

Part Number	Description
021-12373	Oil Fill Plug (all models)
022-25020	Plastic Cap For Rotolock and Tube 'O' Heads (includes rubber seal)
022-25103	16mm High Side R-12 to R-134a adapter
022-25104	13mm Low Side R-12 to R-134a adapter
026-19841	Suction Screen
028-21549	O-Ring For Oil Plug and P.R.V.
028-07146	Teflon Ring (white) 3/4" For Rotolock Heads
028-25131	Felt Ring (oil wick and dust seal)
029-25173	Oil Dip Stick
029-09888	Shaft Key
088-21831	Oil Wick Assembly (standard & heavy duty models)
388-20905	Pressure Relief Valve (P.R.V.)
488-16314	Rotolock Head Assembly W/Gaskets
488-16316	Gasket Kit - All Standard and Heavy Duty Models
488-16319	Valve Plate and Reed Assembly W/Gaskets (standard)
488-16346	Flange Head Assembly W/Gaskets
488-16999	Tube 'O' Head Assembly W/Gaskets
488-20322	SC (Mini) Flange Head Assembly W/Gaskets
488-20610	Valve Plate and Reed Assembly W/Gaskets (heavy duty)
488-20797	Gasket Kit - SC (Mini) Models
488-20798	SC (Mini) Blank Head Assembly W/Gaskets
488-20799	Valve Plate and Reed Assembly W/Gaskets (SC Mini)
488-21802	Shaft Seal Kit (Neoprene) All Refrigerants Including R-12, R-134a and Blends
488-25274	Deluxe Neoprene All Refrigerants Seal Kit W/Felt Ring, Centering Tool, Special Clutch Coil Screws
488-25080	Classic "Tool" Kit (Compressor Repair and Clutch Removal)
ESTER-25065	P.O.E. (ESTER) Oil 14 Ounce Bottles (12 to a Case) "RETRO-FIX II" Brand





**Climate Control Inc.**

**A DEMIRCO™ Company**

2120 N. 22nd Street  
Decatur, Illinois 62526  
Telephone: 217-422-0055  
FAX: 217-422-4323  
[www.ccicompressor.com](http://www.ccicompressor.com)

Information contained in this publication was in effect at the time the publication was approved for printing and is subject to change without notice or liability. Climate Control Inc. reserves the right to revise the information presented at any time.

© Copyright 1999 Climate Control Inc. All rights reserved