

# Product **Up** **UD-70-2** **date**

June 2003

## *Driveline Components*



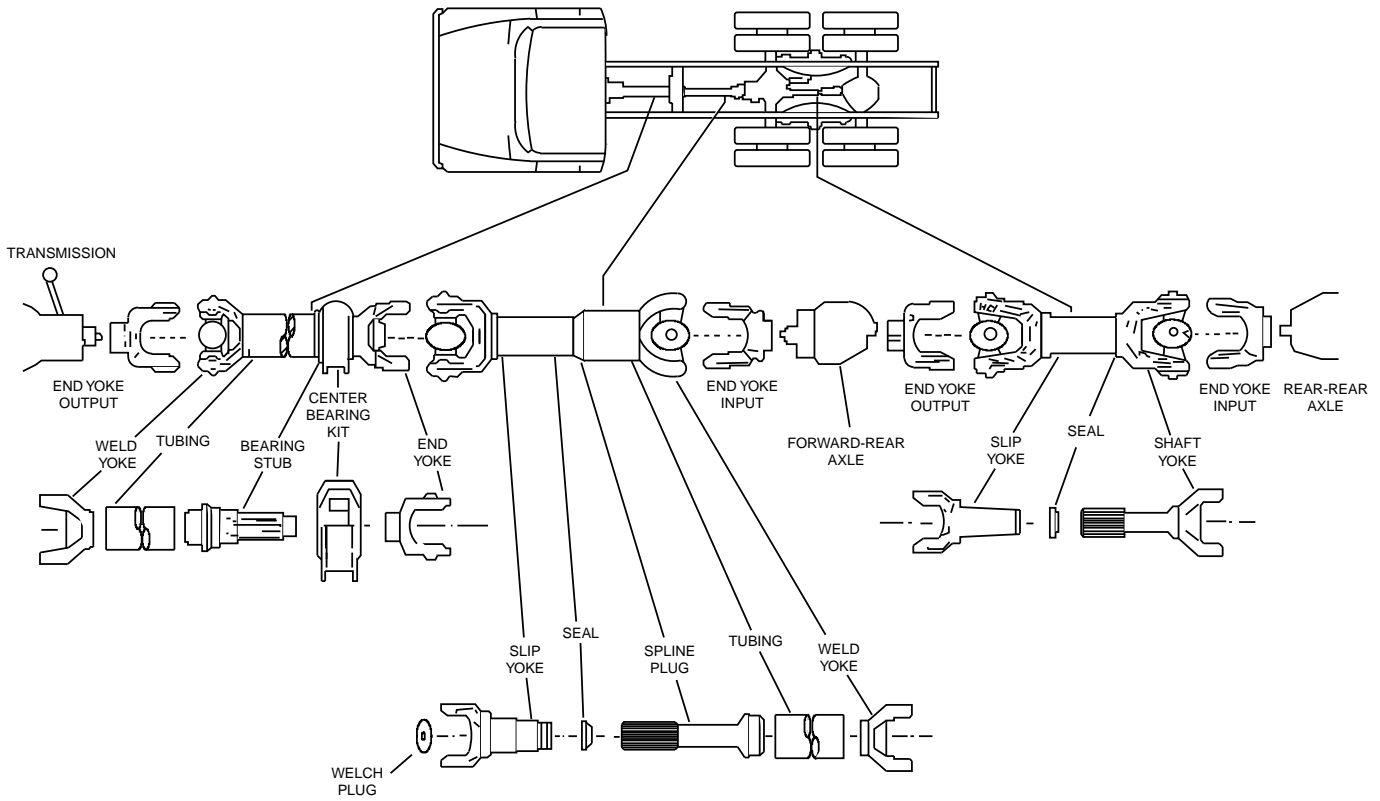
### *Table of Contents:*

<i>APPLICATION SECTION</i> .....	<i>16</i>	<i>HARDWARE</i> .....	<i>12</i>
<i>CENTER BEARINGS &amp; ASSEMBLIES</i> .....	<i>14</i>	<i>U-JOINT KITS</i> .....	<i>8</i>
<i>COMPETITOR INTERCHANGE</i> .....	<i>20</i>		

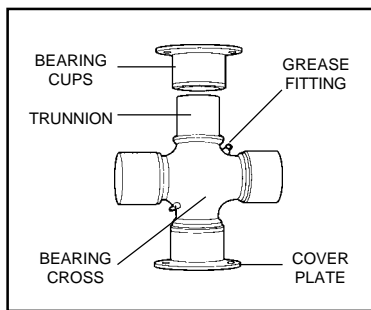


an *ArvinMeritor* brand

# TYPICAL DRIVELINE LAYOUT



## U-JOINT COMPONENTS



# DISCLAIMER NOTICE

## CAUTION

The information and data contained in this Update is based on careful inspection, testing and actual operations. However, such information and data cannot be correlated with the variables of actual customer handling, modification or treatment of the products. Accordingly, although Euclid believes that such information and data is correct, no guarantee is made of the accuracy of such information and data.

Furthermore, the illustrations and similar data contained in this Update are intended as an aid in identifying general configuration of the various products listed and have been obtained and developed from manufacturers and suppliers who have used the specifications and information available. Euclid will supply the sources of this information upon request. Although Euclid believes that such illustrations and data are correct, errors may exist and further verification on the part of the user may be necessary.

In addition, while many parts are visually similar, the internal parts may be quite dissimilar, and should not be interchanged. Under no circumstances should replacement items be used when they do not appear to fit, nor have to be forced to fit, nor have to be modified in the field to fit, instead of obtaining the proper item from the supplier.

**EUCLID CANNOT AND DOES NOT ACCEPT OR ASSUME ANY RESPONSIBILITY OR LIABILITY FOR ERRORS, OMISSIONS OR HARM RESULTING FROM THE USE OR OTHER APPLICATIONS OF SUCH INFORMATION, ILLUSTRATION AND DATA AND/OR FROM ANY SUCH FIELD MODIFICATION. THERE ARE NO SPECIAL WARRANTIES, EXPRESS OR IMPLIED, OF MERCHANTABILITY, FITNESS FOR A PARTICULAR OR SPECIAL PURPOSE OR OTHERWISE, AND EUCLID SHALL NOT BE LIABLE FOR SPECIAL, INCIDENTAL OR CONSEQUENTIAL DAMAGES RESULTING FROM THE USE OR OTHER APPLICATION OF SUCH INFORMATION, ILLUSTRATIONS AND DATA AND/OR FROM ANY SUCH FIELD MODIFICATION.**

# EUCLOUD UNIVERSAL JOINTS RANGE OF APPLICATIONS

<b>AUTOMOTIVE APPLICATIONS</b>			
<b>SERIES</b>	<b>MACHINE OR VEHICLE</b>	<b>APPLICATION</b>	<b>YIELD TORQUE (Ft.Lb.)</b>
L6	Medium and Heavy Truck	Steering	667
141N	Truck	Main & Inter-Axle Drive	3,750
62N	Truck	Main & Inter-Axle Drive	5,000
148N	Truck	Main & Inter-Axle Drive	5,000
155N	Truck	Main & Inter-Axle Drive	6,250
58WB	Truck	Main & Inter-Axle Drive	7,025
72N	Truck	Main & Inter-Axle Drive	7,080
16N	Truck	Main & Inter-Axle Drive	7,100
82N	Truck	Main & Inter-Axle Drive	11,083
17N	Truck	Main & Inter-Axle Drive	9,600
176N	Truck	Main & Inter-Axle Drive	16,000
750N	Military Truck	Wheel/Axle	5,760
850N	Truck	Wheel/Axle	16,700
18N	Truck	Main & Inter-Axle Drive	21,000
85WB	Truck	Main & Inter-Axle Drive	7,025
92N	Truck	Main & Inter-Axle Drive	23,000
950N	Truck	Wheel/Axle	39,000

<b>CONSTRUCTION APPLICATIONS</b>			
<b>SERIES</b>	<b>MACHINE OR VEHICLE</b>	<b>APPLICATION</b>	<b>YIELD TORQUE (Ft.Lb.)</b>
L6	Grader	Steering	667
62N	Skidder, Loader	Main & Inter-Axle Drive	5,000
	Truck, Crane	Main & Inter-Axle Drive	
	Lift Truck	Main & Inter-Axle Drive	
72N	Grader	Main	7,080
	Truck Crane	Main	
	Crawler Loader	Main	
	Lift Truck	Main	
	Compactor	Main	
	Rough Terrain Crane	Main & Inter-Axle Drive	
17N	Loader	Main & Inter-Axle Drive	9,600
85WB	Scraper	Main	12,500
	Loader	Main	
	Truck Crane	Main	
850N	Loader	Wheel/Axle	16,700
92N	Crawler Truck	Main	23,000
950N	Loader	Wheel/Axle	39,000

<b>INDUSTRIAL APPLICATIONS</b>			
<b>SERIES</b>	<b>MACHINE OR VEHICLE</b>	<b>APPLICATION</b>	<b>YIELD TORQUE (Ft.Lb.)</b>
72N	Mill	Roll Drive	7,080
17N	Mill	Roll Drive	9,600
85WB	Mill	Roll Drive	12,500
92N	Mill	Roll Drive	23,000

<b>CONSTRUCTION APPLICATIONS</b>			
<b>SERIES</b>	<b>MACHINE OR VEHICLE</b>	<b>APPLICATION</b>	<b>YIELD TORQUE (Ft.Lb.)</b>
58WB	Truck	Miscellaneous	7,025
92N	Mill	Miscellaneous	23,000
	Truck		
	Crawler Truck		
750N	Military Truck	Miscellaneous	5,760
850N	Truck	Miscellaneous	16,700
	Loader		
950N	Truck	Miscellaneous	39,000
	Loader		

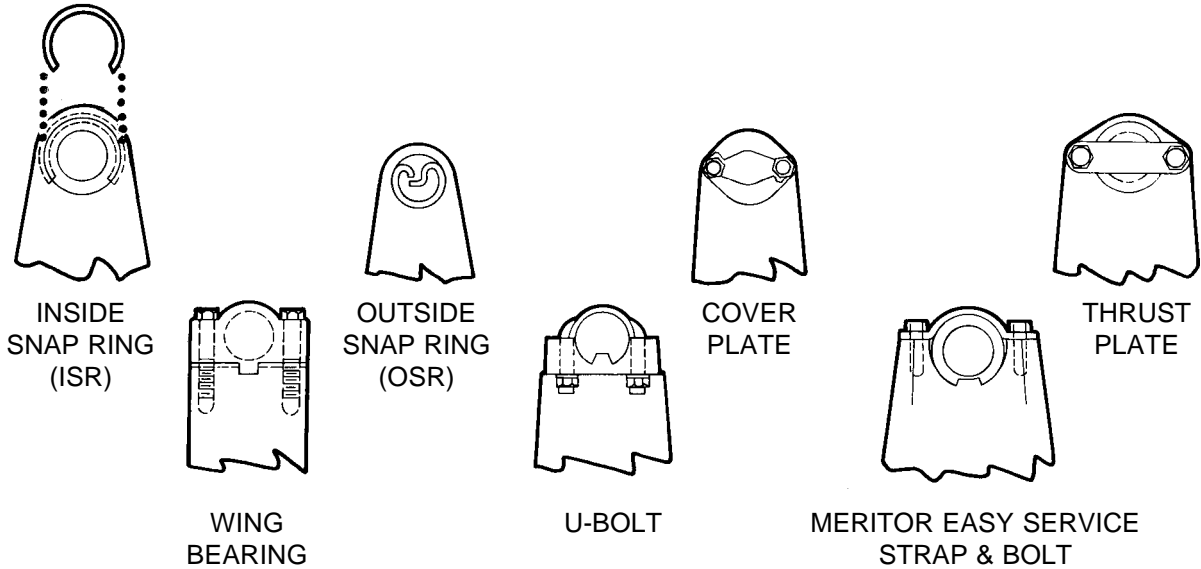
# HOW TO SELECT U-JOINT KITS

Euclid offers U-joints in a full range of sizes for Light/Medium-duty as well as On/Off-highway truck and equipment applications.

All sizes and types of Euclid U-joint kits are basically the same. They consist of the following:

- A cross
- Four (4) bearing races
- Seals
- Needle bearings
- Hardware to retain the bearings in the yoke
- Lube fitting (for most kits)

## METHODS OF RETAINING U-JOINT KITS



Euclid U-joint Kits are catalogued by methods of retention within their basic style groups shown on the following pages. Each U-joint kit section uses specific illustrations showing primary dimensions for determine the part number.

The following table shows the basic kit styles used on passenger cars and light duty trucks regardless of vehicle model:

VEHICLE MANUFACTURER	U-JOINT MANUFACTURER			
	MERITOR	CLEVELAND	DETROIT	SAGINAW/MICH.
AMC/JEEP	OSR	—	ISR	—
CHRYSLER	OSR	—	ISR	—
FORD	OSR	ISR	—	—
GMC	OSR	—	—	INJECTED NYLON/ISR
IHC	OSR	ISR	—	—

For medium and heavy-duty trucks, buses and off-highway equipment, use this catalog to identify the style of U-joint kit that needs replacing and match the dimensions from these pages with the dimensions of the worn kit.

# MEASURING U-JOINT KITS

## MEASURING U-JOINT KITS REMOVED FROM VEHICLE

1. Remove the bearing caps.
2. Remove excess grease from the bottom of the bearing caps and trunnions.
3. Remove the seals from the bearing caps or trunnion to ensure accurate measurements when the parts are compressed.
4. Measure as shown, using a tolerance of  $+.005"/-0.005"$  for dimensions "F" and "E," and a tolerance of  $+.003"/-0.003"$  for all others.

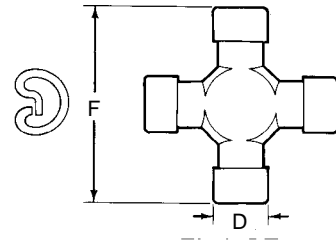


FIGURE 1

## OUTSIDE SNAP RING STYLE

- A) Measure dimension "F" (Figure 1) and write it down.
- B) Measure dimension "D" (Figure 1) and write it down.
- C) Is there a lube fitting? Is it in the cross or the cap?
- D) If more information is needed, measure dimensions "A" and "B" (Figure 2). These dimensions may vary between manufacturers.
- E) Refer to the pages showing Outside Snap Ring Kits.

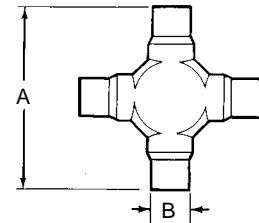


FIGURE 2

## INSIDE SNAP RING STYLE

- A) Measure dimension "E" (Figure 3) and write it down. Be sure to include the thickness of the snap rings. The following method should be helpful.
  - 1) Measure from the inner edge of the snap ring groove to the inner edge of the other as shown by dimension "X" (Figure 4).
  - 2) Measure the thickness of one snap ring (Dim "Y"). Dimension "E" then equals 'X' + 2 ("Y") (Figure 4).
- B) Measure dimension "D" (Figure 3) and write it down.
- C) Is there a lube fitting? Is it in the cross or the cap?
- D) If more information is needed, measure dimensions "A" and "B" (Figure 2). These dimensions vary between manufacturers.
- E) Refer to the pages showing Inside Snap Ring Kits.

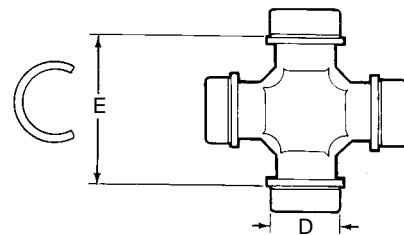


FIGURE 3

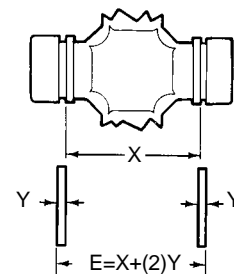


FIGURE 4

# LUBRICATION OF U-JOINTS

The function of the lubricant in a U-joint is to protect the surface of the rollers and races from rust or corrosion and to reduce the friction between the rollers and races.

## THE FOLLOWING GREASES ARE RECOMMENDED

An NLGI No. 2 grease consisting of a mineral oil and Lithium soap or equivalent base with EP additives to give long life characteristics.

Greases approved by Euclid include:

PN-CLAZ 19590 or a grease meeting Ford Motor Company Specification MI C-75B

Kendall L-424 Grease

Amoco Super Chassis

Amalie All-Purpose Greas with Moly, Li-2M

Exxon 5160

Shell Super Duty Special FF

Maralube Moly Code 529

Philube MWEP2 Grease

The center crosses of the U-joints hold a generous supply of lubricant. This stored lubricant is supplied to the bearing by the centrifugal action of the rotating cross.

## LUBRICANT REQUIREMENTS FOR U-JOINTS WILL VARY WITH THE APPLICATION.

Light duty, low angle service may permit "greased for life" initial lubrication only.

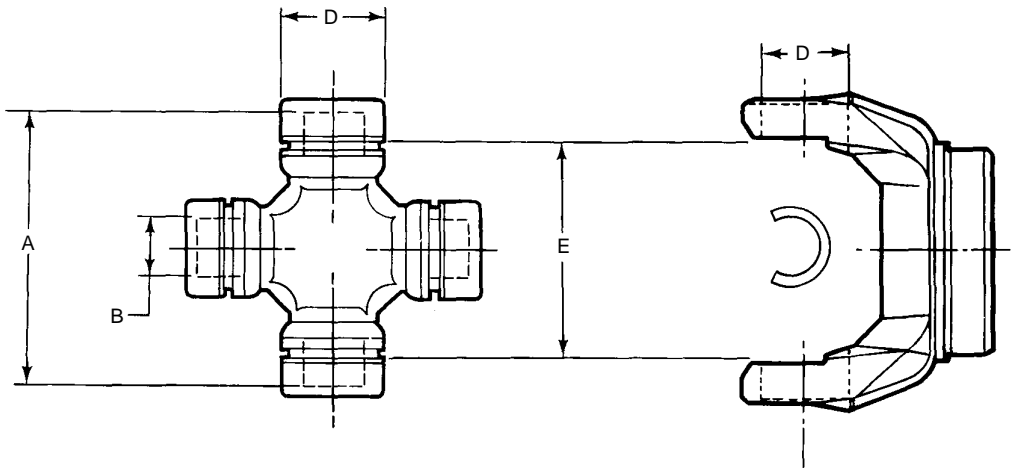
Conditions of high angle, high speed or extremely dirty or moist conditions may require daily greasing.

The lubrication of the slip assembly can be done with the same type lubricant and at the same time as the U-joint. For slip assemblies, an EP chassis grease with a molybdenum disulfide (MOS<sub>2</sub>) additive has shown good results in some applications.

# U-JOINT KIT INSIDE SNAP RING TYPE

Product Code 551

U-JOINT KITS



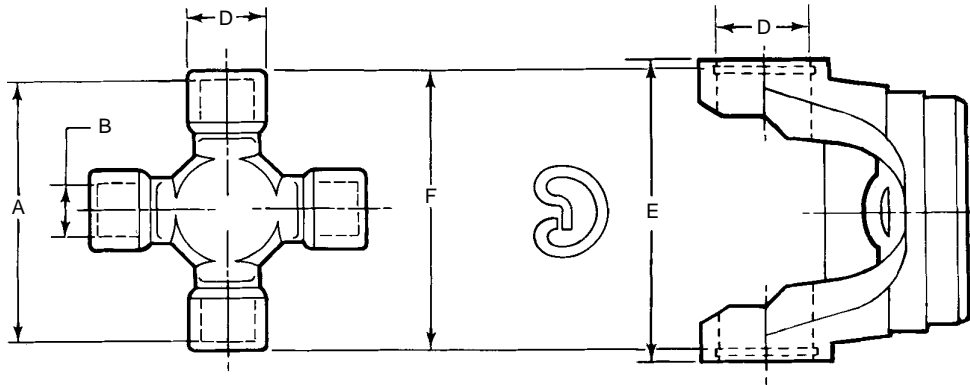
CROSS LENGTH "A"	CROSS TRUNNION DIA. "B"	BEARING DIA. "D"	SNAP RING DIMENSION "E"	LUBE FITTING	SERIES	U-JOINT KIT INSIDE SNAP RING EUCLID NO.
1.948"	0.545"	0.971"	1.493"	Y	L6	E-92X*
2.080"	0.505"	0.938"	1.500"	Y	10N/1000	E-170X
2.44"	0.622"	1.064"	1.658"	Y	L12	E-242X
2.875"	0.657"	1.078"	2.125"	Y	7260	E-1306-1X**
2.875"	0.657"	1.078"	2.125"	Y	7260/3R	E-1306X
2.969"	0.657"	1.063"	2.188"	Y	131N	E-260X
2.969"	0.745"	1.188"	2.188"	N	131N	E-297X
2.969"	0.657"	1.063"	2.390"	Y	131N	E-3022X
3.372"	0.657"	1.125"	2.562"	Y	3R	
3.311"	0.657"	1.125"	2.580"	Y	3R, 3RL	E-3147X

\* 90° lube fitting • \*\* Lube fitting in bearing



# U-JOINT KIT OUTSIDE SNAP RING TYPE

Product Code 551



U-JOINT KITS

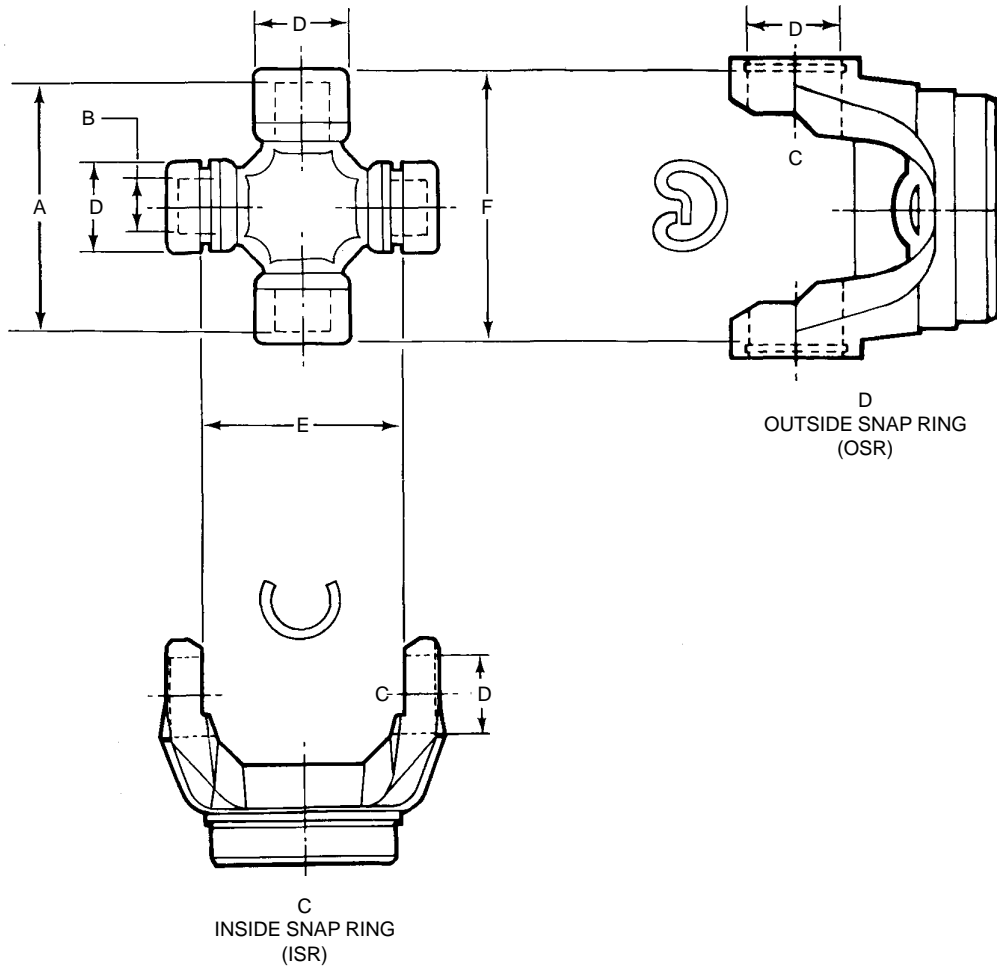
CROSS LENGTH "A"	CROSS TRUNNION DIA. "B"	BEARING DIA. "D"	YOKE DIMENSION "E"	SNAP RING DIMENSION "F"	LUBE FITTING	SERIES	U-JOINT KIT OUTSIDE SNAP RING EUCLID NO.
2.188"	0.615"	1.063"	2.69"	2.438"	Y	121N	E-443X
2.375"	0.773"	1.126"	2.875"	2.679"	Y	1240 / L14N	E-129X
2.955"	0.843"	1.251"	3.484"	3.207"	Y	35N / 1240	E-243X
2.969"	0.657"	1.063"	3.469"	3.218"	Y	1310	E-153X
2.969"	0.657"	1.063"	3.469"	3.218"	Y	131N	E-134X (1)
3.373"	0.657"	1.063"	3.875"	3.622"	Y	133N	
3.373"	0.773"	1.188"	3.875"	3.622"	Y	1350	E-178X
3.875"	0.895"	1.375"	4.44"	4.187"	Y	148N	E-188X
3.936"	0.774"	1.188"	4.438"	4.172"	Y	141N	E-160X
4.566"	1.035"	1.625"	5.375"	4.961"	Y	SPL90	E-SPL90X
4.658"	0.895"	1.375"	4.968"	4.967"	Y	155N	E-155X

(1) U-Joint Combination

# U-JOINT KIT INSIDE & OUTSIDE SNAP RING COMBINATIONS

Product Code 551

U-JOINT KITS

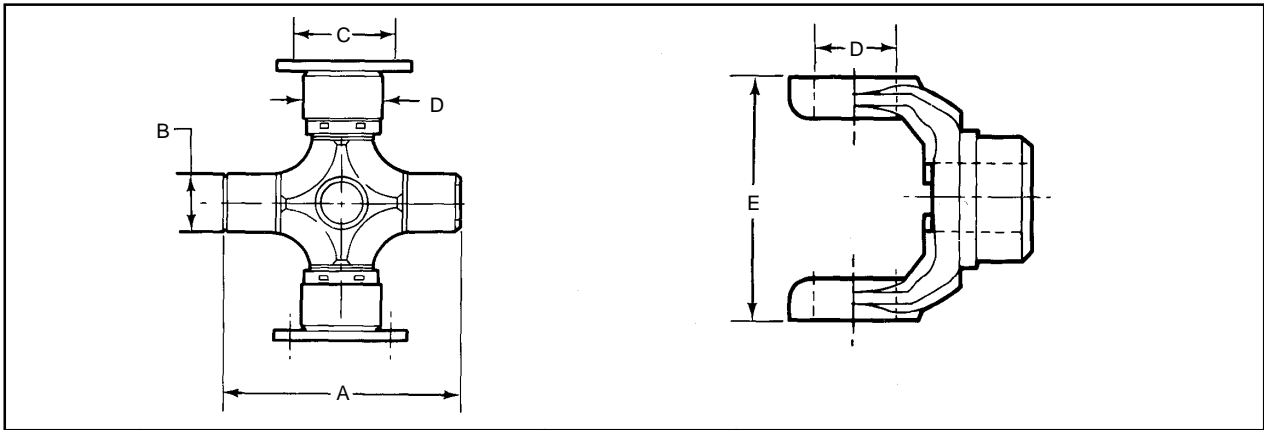


CROSS LENGTH "A"	CROSS TRUNNION DIA. "B"	ISR BEARING "C"	OSR BEARING DIA. "D"	ISR DIM. "E"	OSR DIM. "F"	SERIES	ISR QTY.	OSR QTY.	U-JOINT KIT SNAP RING EUCLID NO.
3.370"	0.660"	1.063"	1.125"	2.797"	3.625"	SPECIAL/133N	2	2	E-1204X*
3.371"	0.657"	1.063"	1.063"	2.781"	3.625"	1330	4	4	E-1203X

\* Special for Ford Motor Company

# U-JOINT KIT COVER PLATE

Product Code 551

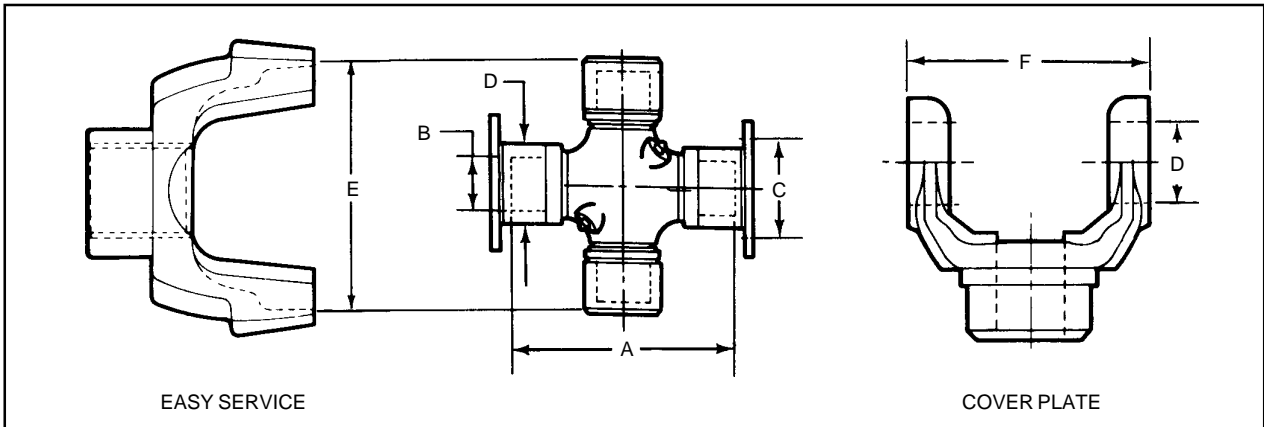


U-JOINT KITS

CROSS OVERALL LENGTH "A"	CROSS TRUNNION DIA. "B"	CL TO CL BEARING BOLT HOLE "C"	BEARING DIA. "D"	YOKE DIMENSION "E"	SERIES	U-JOINT KIT EUCLID NO.	US MADE U-JOINT KIT EUCLID NO.
4.877"	1.269"	2.312"	1.875"	5 5/16"	16N	E-279X	E-US279X
5.784"	1.298"	2.432"	1.937"	6 3/32"	17N	E-280X	E-US280X
6.542"	1.363"	2.438"	1.937"	7"	176N	E-407X	E-US407X
7.242"	1.298"	2.432"	1.937"	7 35/64"	18N	E-281X	E-US281X

# U-JOINT KIT EASY SERVICE TYPE

Product Code 551



EASY SERVICE

COVER PLATE

CROSS LENGTH "A"	CROSS TRUNNION DIA. "B"	CL TO CL BEARING BOLT HOLE "C"	BEARING DIA. "D"	YOKE DIMENSION "E"	YOKE DIMENSION "F"	SERIES	U-JOINT KIT EUCLID NO.	US MADE U-JOINT KIT EUCLID NO.
5.001"	1.272"	2.308"	1.875"	5 5/16"	5 5/16"	16N	E-674X	E-US674X
5.784"	1.298"	2.432"	1.937"	6 3/16"	6 3/32"	17N	E-675X	E-US675X
6.541"	1.298"	2.432"	1.937"	7 3/32"	7"	176N	E-677X	E-US677X
7.242"	1.298"	2.432"	1.937"	7 5/8"	7 35/64"	18N	E-676X	E-US676X

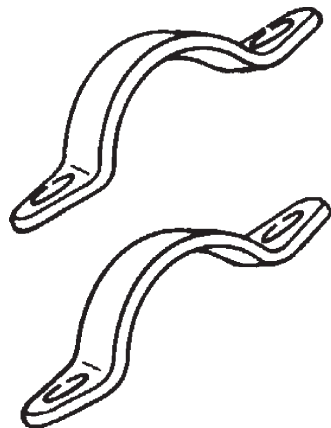
# U-JOINT HARDWARE KIT CHART

Product Code 551

U-JOINT EUCLID NO.	SERIES	BEARING DIA.	EUCLID U-BOLT KIT NO. (One U-Bolt per kit)	EUCLID STRAP & BOLT KIT NO.
E-674X	16N	1.88"	—	E-5-70-28X
E-675X	17N	1.94"	—	E-6.5-70-18X
E-677X	176N	1.94"	—	E-6.5-70-18X
E-676X	18N	1.94"	—	E-6.5-70-18X
E-134X	131N/133N	1.06"	E-2-94-28X	—
E-153X	131N	1.06"	E-2-94-28X	—
E-155X	155N	1.38"	E-3-94-28X	E-3-70-38X
E-160X	141N	1.19"	E-3-94-18X	E-3-70-28X
E-178X	135N	1.19"	E-3-94-18X	E-3-70-28X
E-188X	148N	1.38"	E-3-94-28X	E-3-70-38X
E-213X	133N	1.06"	E-2-94-28X	—

## STRAP & BOLT KITS

Product Code 551



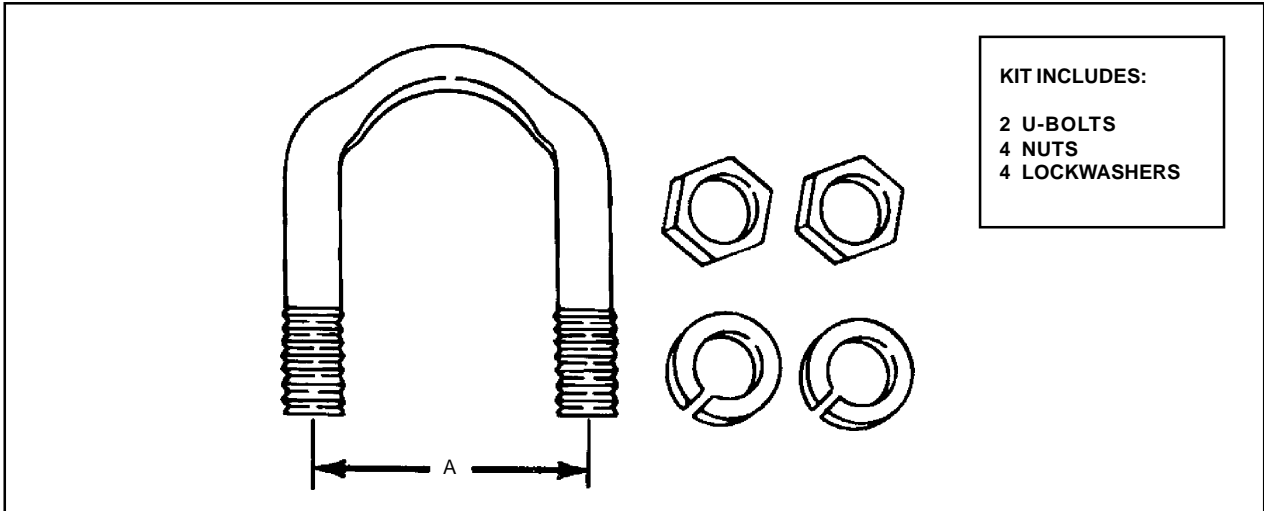
**KIT INCLUDES:**

2 RETAINER STRAPS  
4 CAPSCREWS

SERIES	EUCLID KIT NO.
131N/141N	E-3-70-28X
148N/155N	E-3-70-38X
16N	E-5-70-28X
17N/176N/18N	E-6.5-70-18X

# U-BOLT KITS

Product Code 551

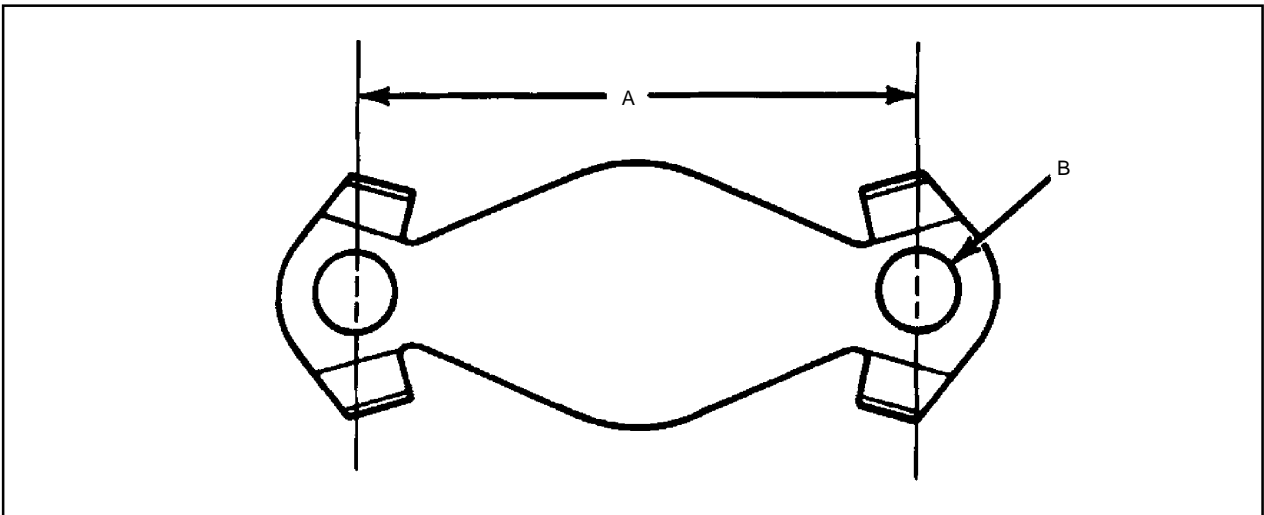


U-BOLTS (in kit)	NUTS (in kit)	LOCKWASHERS (in kit)	CENTER LINE TO CENTER LINE LENGTH "A"	THREAD SIZE	SERIES	EUCLID KIT NO.
2	4	4	1 13/32"	5/16"-24	131N/133N	E-2-94-28X
2	4	4	1 5/8"	3/8"-24	141N	E-3-94-18X
2	4	4	1 7/8"	7/16"-20	148N/155N	E-3-94-28X

HARDWARE

# LOCKPLATES

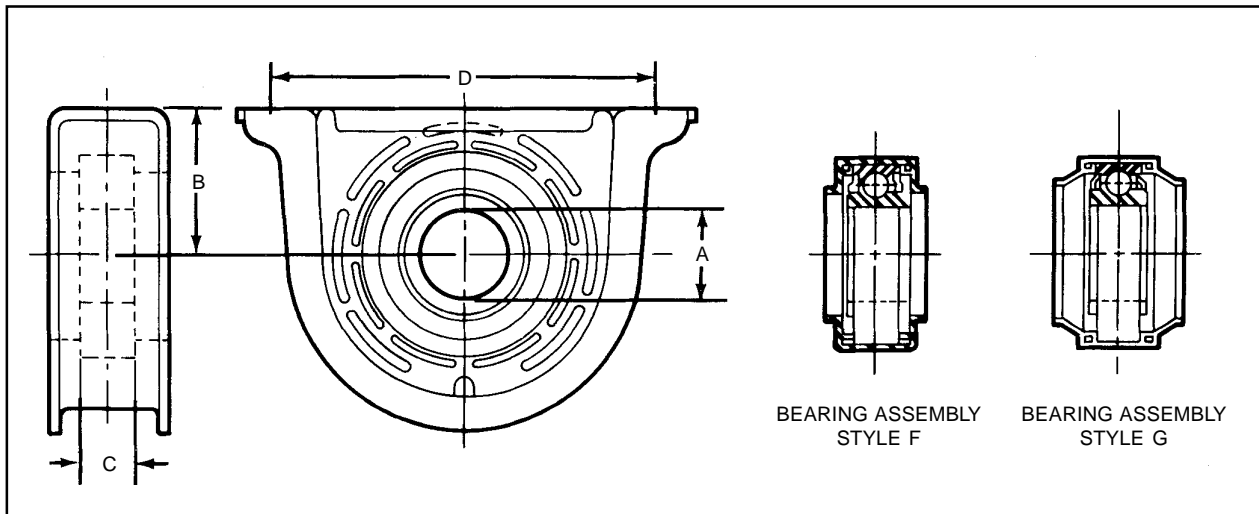
Product Code 551



CENTER LINE TO CENTER LINE OF BOLT HOLES "A"	HOLE DIA. "B"	SERIES	USE CAPSCREW	LOCKPLATE EUCLID NO.
2.31"	0.34"	16N	E-5-73-109	E-98-781
2.44"	0.39"	17N, 176N, 18N	E-6-73-109	E-230323

# CENTER BEARINGS SLOTTED RUBBER CUSHION

Product Code 553



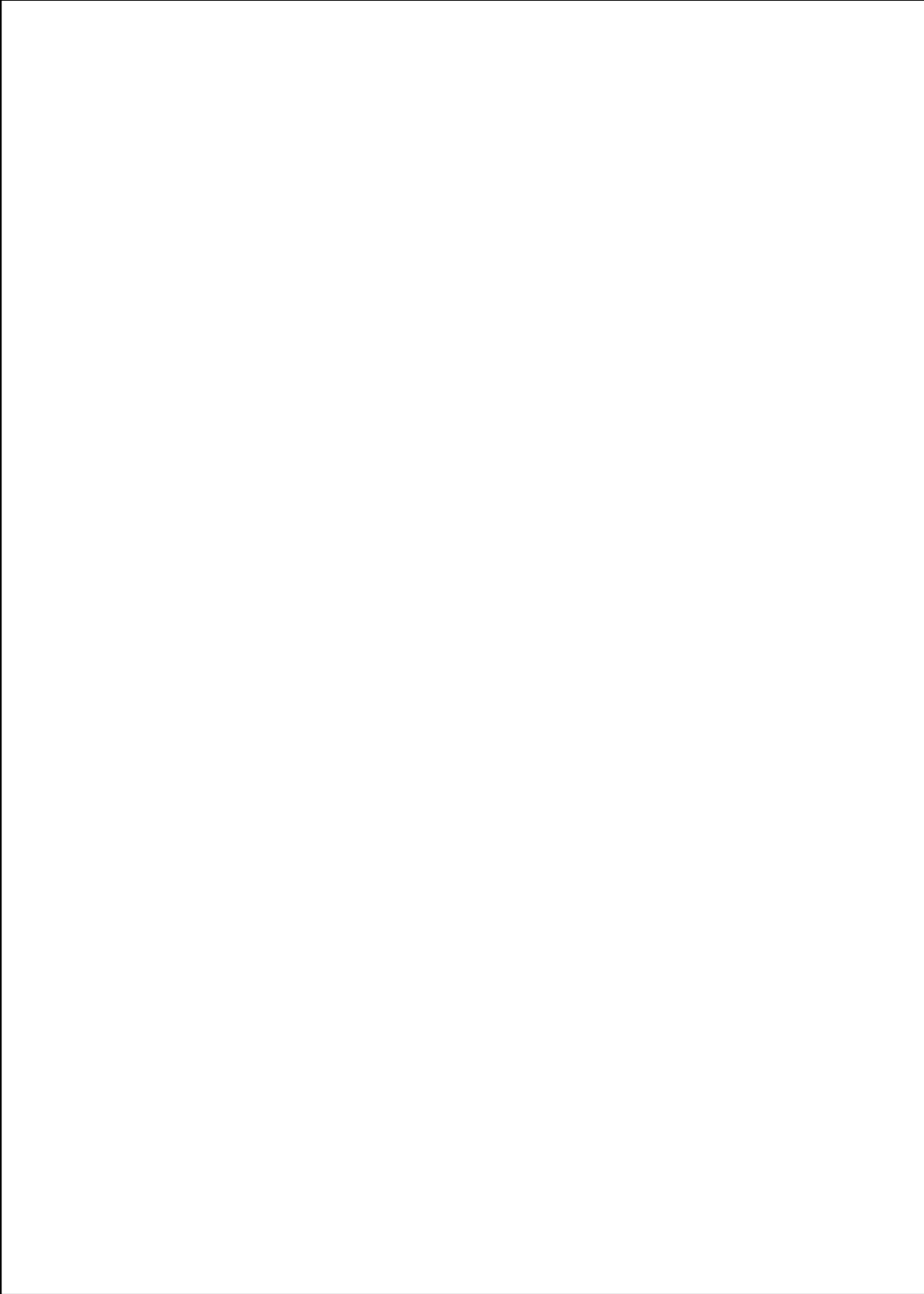
HARDWARE

BEARING INSIDE DIA. "A"	HEIGHT "B"	BEARING WIDTH "C"	MOUNTING HOLES "D"	STYLE	CENTER BEARING EUCLID KIT NO.
<b>1280, 1310, 1330, 1350, 1410 SERIES</b>					
1.3780/1.3775"	2 1/4"	63/64"	6 5/8"	F	E-210090-1X
1.3780/1.3775"	2 1/4"	63/64"	6 5/8"	F	E-210088-1X
<b>135N, 141N, 148N SERIES</b>					
1.5748/1.5743"	2 1/4"	55/64"	6 5/8"	F	E-210873-1X
1.5748/1.5743"	2 1/4"	55/64"	6 5/8"	F	E-210866-1X
1.5748/1.5743"	2 15/32"	1 1/16"	6 5/8"	F	E-210391-1X
1.5748/1.5743"	2 15/32"	1 1/16"	6 5/8"	F	E-210433-1X
<b>155N, 16N SERIES</b>					
1.7717/1.7712"	2 11/16"	1 1/16"	7 5/8"	F	E-210084-2X
<b>17N SERIES</b>					
1.9685/1.9680"	2 13/16"	1 3/16"	7 5/8"	F	E-210121-1X
<b>17N (HEAVY DUTY), 176N, 18N SERIES</b>					
2.3622/2.3616"	3 3/8"	1 13/32"	8 5/8"	F	E-210661-1X
2.3622/2.3616"	3 3/8"	1 13/32"	8 5/8"	—	E-210875-1X (1)

\*\* Deflectors are not sold separately

(1) Solid Cushion Version

# NOTES



HARDWARE

# APPLICATION

APPLICATION	PART NUMBER	SERIES	PACKAGE WEIGHT	CATALOG PAGE NO.	APPLICATION
	E-1203X	1310/S44	1.3	10	Chevrolet Truck 2WD 68-00, Chevrolet Truck 4WD 88-00, Ford 63-94, Ford Truck 2WD 64-94, Ford Truck 4WD 77-94, Ford Heavy Trucks 53-00, GMC Truck 2WD 65-00, GMC Truck 4WD 88-00, Lincoln 63-94, Mercury 61-94,
	E-1204X	Special/1330	1.4	10	Ford Truck 2WD 73-94, Ford Truck 4WD 79-94
	E-129X	1240/L14N	1.1	9	P.T.O Assemblies- AG
	E-1306-1X	7260	1.1	8	Dodge Truck 2WD 82-00
	E-1306X	7260	1.1	8	Chrysler 58-89, Dodge 58-89, Dodge Truck 2WD 60-00, Dodge Truck 4WD 61-00, Plymouth 58-89, Plymouth Truck 2WD 75-88, Plymouth Truck 4WD 74-83
	E-134X	1330/1310	2.1	9	Conversion Kit- E-153X and E1203X, AG
	E-153X	1310	1.1	9	AMC 67-88, American LaFrance Trucks 47-00, AustinHealey 75-90, Chevrolet 53-00, Chevrolet Truck 2WD 60-89, Chevrolet Truck 4WD 60-00, Ford 56-94, Ford Truck 2WD 53-94, Ford Truck 4WD 59-00, Ford Heavy Trucks 47-00, Freightliner Trucks 50-00, FWD Trucks 47-00, Garwood Trucks 47-00, GMC 2WD 55-89, GMC 4WD 60-00, Honda 2WD 93-94, Honda 4WD 92-94, International Heavy Trucks 55-00, Isuzu Truck 2WD 90-94, Isuzu Truck 4WD 89-94, Jaguar 62-84, Jeep 2WD 60-94, Jeep 4WD 55-94, Kenworth Heavy Trucks 38-00, Lincoln 49-94, Marmon Heavy Trucks 40-00, Mazda Truck 2WD 92-94, Mazda Truck 4WD 87-00, Oshkosh Heavy Trucks 39-00, Pontiac 53-00, Rover Truck 4WD 63-92, Toyota Truck 2WD 92-94, Volvo 68-92, White Trucks 49-00
	E-155X	1550	3.3	9	American LaFrance 47-00, Brockway Heavy Trucks 44-00, Chevrolet Trucks 55-00, GMC Trucks 55-00, Ford Heavy Trucks 53-00, Freightliner Trucks 50-00, International Trucks 55-00, Mack Trucks 37-00, Oshkosh Trucks 39-00, White Trucks 49-00
	E-160X	1410	1.9	9	American LaFrance Trucks 47-00, Brockway Heavy Trucks 44-00, Chevrolet Truck 2WD 79-94, GMC Heavy Trucks 55-00, Dodge Truck 2WD 89-00, Dodge Truck 4WD 88-00, Ford Truck 2WD 68-94, Ford Heavy Trucks 53-00, Freightliner Trucks 50-00, FWD Trucks 47-00, Garwood Trucks 47-00, GMC Truck 2WD 79-94, International Trucks 55-00, Jaguar 53-87, Kenworth Trucks 38-00, Mack Trucks 37-00, Marmon Trucks 40-00, Oshkosh Trucks 39-00, White Trucks 49-00
	E-170X	1000	0.6	8	American LaFrance-Heavy Trucks 47-00, Dodge Truck 4WD 58-74, P.T.O Assemblies
	E-178X	1350	1.6	9	American LaFrance Trucks 47-00, Brockway Heavy Trucks 44-00, Buick 82-87, Cadillac 82-84, Chevrolet 63-00, Chevrolet Truck 2WD 60-00, Chevrolet Truck 4WD 60-00, GMC Heavy Trucks 55-00, Dodge 92-94, Ford Truck 2WD 67-94, Ford Truck 4WD 59-94, Ford Heavy Trucks 53-00, Freightliner Trucks 50-00, FWD Trucks 47-00, GMC Truck 2WD 55-94, GMC Truck 4WD 60-00, International Trucks 55-00, Kenworth Trucks 38-00, Mack Trucks 37-00, Marmon Trucks 40-00, Oldsmobile 64-88, Pontiac 82-84, White Trucks 49-00
	E-188X	1480	2.6	9	American LaFrance Trucks 47-00, Brockway Heavy Trucks 44-00, Chevrolet Trucks 55-00, GMC Trucks 55-00, Flexible and Twin Coaches 53-00, Ford Heavy Trucks 50-00, Freightliner Trucks 50-00, Garwood Heavy Trucks 47-00, International Trucks 55-00, Mack Trucks 37-00, Marmon Trucks 40-00, Oshkosh Trucks 39-00, White Trucks 49-00, P.T.O Assemblies



# APPLICATION

PART NUMBER	SERIES	PACKAGE WEIGHT	CATALOG PAGE NO.	APPLICATION
E-242X	L12N	0.9	8	P.T.O. Assemblies, AG
E-243X	1340/35N	1.6	9	P.T.O Assemblies- AG
E-260X	1310	1.1	8	International Truck 4WD 53-80, Jeep 4WD 55-94
E-279X	1610	6.5	11	American LaFrance Trucks 47-00, Brockway Heavy Trucks 44-00, Chevrolet Trucks 55-00, GMC Trucks 55-00, Ford Heavy Trucks 53-00, Freightliner Trucks 50-00, Garwood Heavy Trucks 47-00, International Trucks 55-00, Mack Trucks 37-00, Marmon Trucks 37-00, Oshkosh Trucks 39-00, Peterbilt Trucks 39-00, White Trucks 49-00
E-280X	1710	8.1	11	American LaFrance Trucks 47-00, Brockway Heavy Trucks 44-00, Chevrolet Trucks 55-00, GMC Trucks 55-00, Ford Heavy Trucks 53-00, Freightliner Trucks 50-00, Garwood Heavy Trucks 47-00, International Trucks 55-00, Mack Trucks 37-00, Marmon Trucks 37-00, Oshkosh Trucks 39-00, Peterbilt Trucks 39-00, White Trucks 49-00
E-281X	1810	12.8	11	Brockway Heavy Trucks 44-00, Chevrolet Trucks 55-00, GMC Trucks 55-00, Ford Heavy Trucks 53-00, Freightliner Trucks 50-00, International Trucks 55-00, Kenworth Trucks 38-00, Mack Trucks 37-00, Oshkosh Trucks 39-00, Peterbilt Trucks 39-00, White Trucks 49-00
E-297X	1310	1.4	8	Chevrolet Truck 4WD 67-91, Dodge Truck 4WD 61-00, Ford Truck 4WD 70-00, GMC Truck 4WD 67-91, Jeep 4WD 74-94, Mazda Truck 94
E-3022X	1310/S44	1.2	8	Chevrolet 88-93, Pontiac 88-00, Conversion Kit- E-153X and E-3147X
E-3147X	S44	1.4	8	Buick 61-00, Cadillac 50-00, Chevrolet 67-00, Chevrolet Truck 2WD 65-00, Chevrolet Truck 4WD 77-00, Dodge Truck 4WD 72-00, Ford Truck 4WD 88, GMC Truck 2WD 65-00, GMC Truck 4WD 77-00, Oldsmobile 61-94, Oldsmobile Truck 4WD 91-94, Pontiac 56-93
E-407X	1760	9.8	11	Brockway Heavy Trucks 44-00, Chevrolet Trucks 55-00, GMC Trucks 55-00, Ford Heavy Trucks 53-00, Freightliner Trucks 50-00, International Trucks 55-00, Kenworth Trucks 38-00, Mack Trucks 37-00, Oshkosh Trucks 39-00, Peterbilt Trucks 39-00, White Trucks 49-00
E-443X	1210	0.8	9	Ford 87-92, Ford Truck 2WD 86-94, Ford Truck 4WD 83-94, Hyundai 84-88, Mercury 87-91
E-674X	1610	5.7	11	Half-Round Version of E-279X- Same Application
E-675X	1710	7.8	11	Half-Round Version of E-280X- Same Application
E-676X	1810	10.3	11	Half-Round Version of E-281X- Same Application
E-677X	1760	8.7	11	Half-Round Version of E-407X- Same Application
E-92X	L6N	0.7	8	P.T.O. and Steering Assemblies, AG
E-US279X	1610	6.2	11	See E-279X- Same Application
E-US280X	1710	8	11	See E-280X- Same Application
E-US281X	1810	10.6	11	See E-281X- Same Application
E-US407X	1760	9.3	11	See E-407X- Same Application
E-US674X	1610	5.6	11	See E-674X- Same Application
E-US675X	1710	7.4	11	See E-675X- Same Application
E-US676X	1810	10.2	11	See E-676X- Same Application
E-US677X	1760	8.8	11	See E-677X- Same Application

APPLICATION

# NOTES

A large, empty rectangular box with a thin black border, occupying most of the page. It is intended for the user to write notes.

# INTERCHANGE

PART NO.	EUCLID NO.	PART NO.	EUCLID NO.	PART NO.	EUCLID NO.	PART NO.	EUCLID NO.
<b>DANA SPICER</b>		<b>DANA SPICER</b>		<b>NEAPCO/CR</b>		<b>NEAPCO/CR</b>	
230323	E-230323	5-407X	E-407X	1-0174	E-260X	N210391-1X	E-210391 1X
210084-2X	E-210084-2X	5-443X	E-443X	1-0297	E-297X	N210433-1X	E-210433 1X
210088-1X	E-210088-1X	5-674X	E-US674X	1-0443	E-443X	N210661-1X	E-210661 1X
210090-1X	E-210090-1X	5-674X	E-674X	1-1275	E-242X	N210866-1X	E-210866 1X
210121-1X	E-210121-1X	5-675X	E-US675X	1-1475	E-92X	N210873-1X	E-210873 1X
210391-1X	E-210391-1X	5-675X	E-675X	1-2075	E-129X	N210875-1X	E-210875 1X
210433-1X	E-210433-1X	5-676X	E-US676X	1-2858	E-98-781		
210661-1X	E-210661-1X	5-676X	E-676X	1-2858	E-5-73-109		
210866-1X	E-210866-1X	5-677X	E-US677X	1-2859	E-230323		
210873-1X	E-210873-1X	5-677X	E-677X	1-2859	E-6-73-109		
210875-1X	E-210875-1X	5-70-28X	E-5-70-28X	1-6300	E-13061X		
2-94-28X	E-2-94-28X	5-73-109	E-5-73-109	1-6301	E-1306X		
3-70-28X	E-3-70-28X	5-92X	E-92X	2-0053	E-178X		
3-70-38X	E-3-70-38X	6.5-70-18X	E-6.5-70-18X	2-0054	E-160X		
3-94-18X	E-3-94-18X	6-73-109	E-6-73-109	2-2275	E-243X		
3-94-28X	E-3-94-28X	98-781	E-98-781	2-3011	E-3147X		
5-1203X	E-1203X	SPL90X	E-SPL90X	2-4800	E-1203X		
5-1204X	E-1204X			2-4900	E-1204X		
5-129X	E-129X	<b>FEDERAL MOGUL/CR</b>		3-0155	E-155X		
5-13061X	E-13061X	HB88107-B	E-210088 1X	3-0188	E-188X		
5-1306X	E-1306X	HB88107-C	E-210090 1X	3-3130	E-3022X		
5-134X	E-134X	HB88508-A-A	E-210873 1X	4-0279	E-US279X		
5-153X	E-153X	HB88508-A-B	E-210866 1X	4-0279	E-279X		
5-155X	E-155X	HB88508-B	E-210433 1X	4-0674	E-US674X		
5-160X	E-160X	HB88508-E	E-210391 1X	4-0674	E-674X		
5-170X	E-170X	HB88509-A	E-210084 2X	5-0280	E-US280X		
5-178X	E-178X	HB88510	E-210121 1X	5-0280	E-280X		
5-188X	E-188X	HB88512-AHD	E-210661 1X	6-0281	E-US281X		
5-242X	E-242X	HB88512-AS	E-210875 1X	6-0281	E-281X		
5-243X	E-243X			6-0407	E-US407X		
5-260X	E-260X	<b>NEAPCO/CR</b>		6-0407	E-407X		
5-279X	E-US279X	1-0019	E-3-70-28X	6-0675	E-US675X		
5-279X	E-279X	1-0021	E-3-70-38X	6-0675	E-675X		
5-280X	E-US280X	1-0045	E-5-70-28X	6-0676	E-US676X		
5-280X	E-280X	1-0046	E-6.5-70-18X	6-0676	E-676X		
5-281X	E-US281X	1-0089	E-2-94-28X	6-0677	E-US677X		
5-281X	E-281X	1-0099	E-3-94-18X	6-0677	E-677X		
5-297X	E-297X	1-0109	E-3-94-28X	N210084-2X	E-210084 2X		
5-3022X	E-3022X	1-0134	E-134X	N210088-1X	E-210088 1X		
5-3147X	E-3147X	1-0153	E-153X	N210090-1X	E-210090 1X		
5-407X	E-US407X	1-0170	E-170X	N210121-1X	E-210121 1X		

INTERCHANGE

## ARVINMERITOR AFTERMARKET PARTS WARRANTY

We warrant all new parts for one year from date of shipment to the buyer against defective material or workmanship (but not against damage caused by accident, abuse or improper installation, maintenance or repair) when such parts are used on vehicles the specifications of which have been approved by our Engineering Department.

As the exclusive remedy under this warranty, we will, at our option, repair or replace such parts free of charge, or take back the nonconforming parts and refund the monies paid by buyer for such parts, if found on examination by us to be nonconforming and if any necessary return charges are prepaid.

If it is necessary to return any parts under this warranty, buyer agrees not to make any deduction on account thereof from remittances on current accounts while claims are in the process of disposition. Any expense incurred without our consent for repairs or replacement will not be allowed.

THIS WARRANTY IS EXPRESSLY IN LIEU OF ALL OTHER WARRANTIES OR CONDITIONS, EXPRESS, IMPLIED OR STATUTORY, INCLUDING ANY IMPLIED WARRANTY OF MERCHANTABILITY OR FITNESS FOR PARTICULAR PURPOSE. IN NO EVENT SHALL SELLER BE LIABLE FOR INCIDENTAL OR CONSEQUENTIAL DAMAGES OF ANY NATURE.

Only genuine ArvinMeritor replacement parts are covered by this aftermarket parts warranty.

Information contained in this publication was in effect at the time the publication was approved for printing and is subject to change without notice or liability. Meritor Automotive, Inc. reserves the right to revise the information presented or discontinue the production of parts at any time.

---

**Distributed By:**

**ArvinMeritor**<sup>™</sup>  
Commercial Vehicle Aftermarket

**Euclid Industries, LLC**

6660 Beta Drive  
Cleveland, Ohio 44143-2321  
1-866-2EUCLID FAX: (859) 525-3916  
www.arvinmeritor.com

Copyright 2003 ArvinMeritor, Inc.  
Printed in USA

UD-70-2  
Revised 06/03