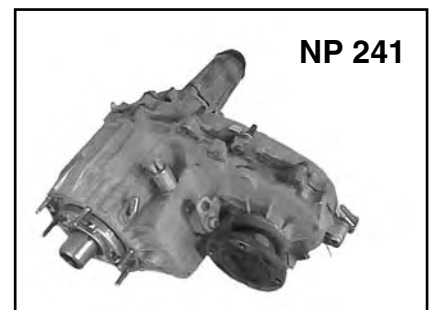
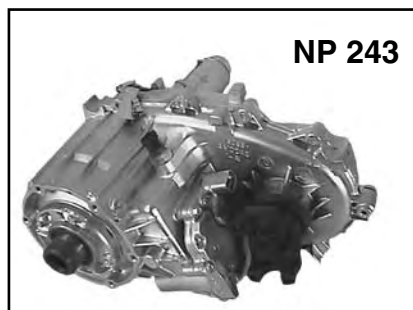
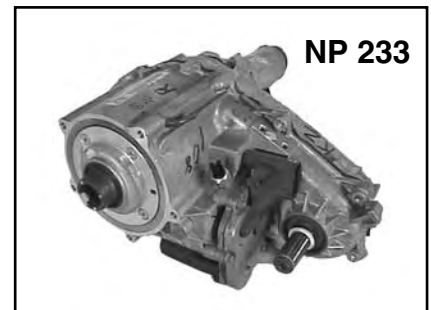
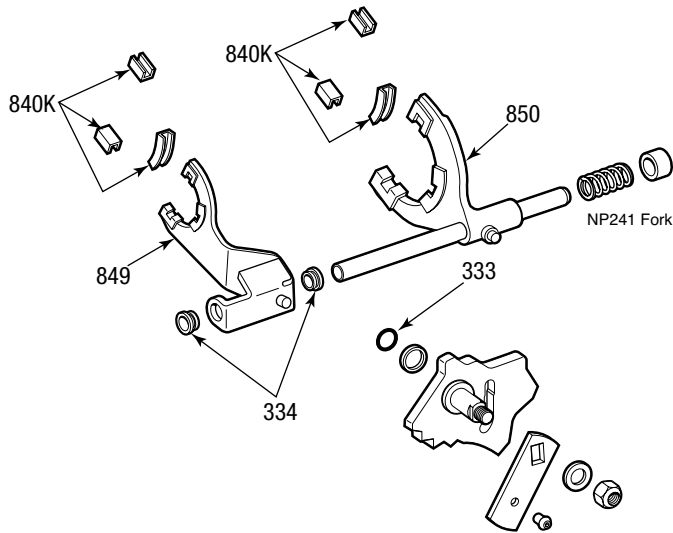
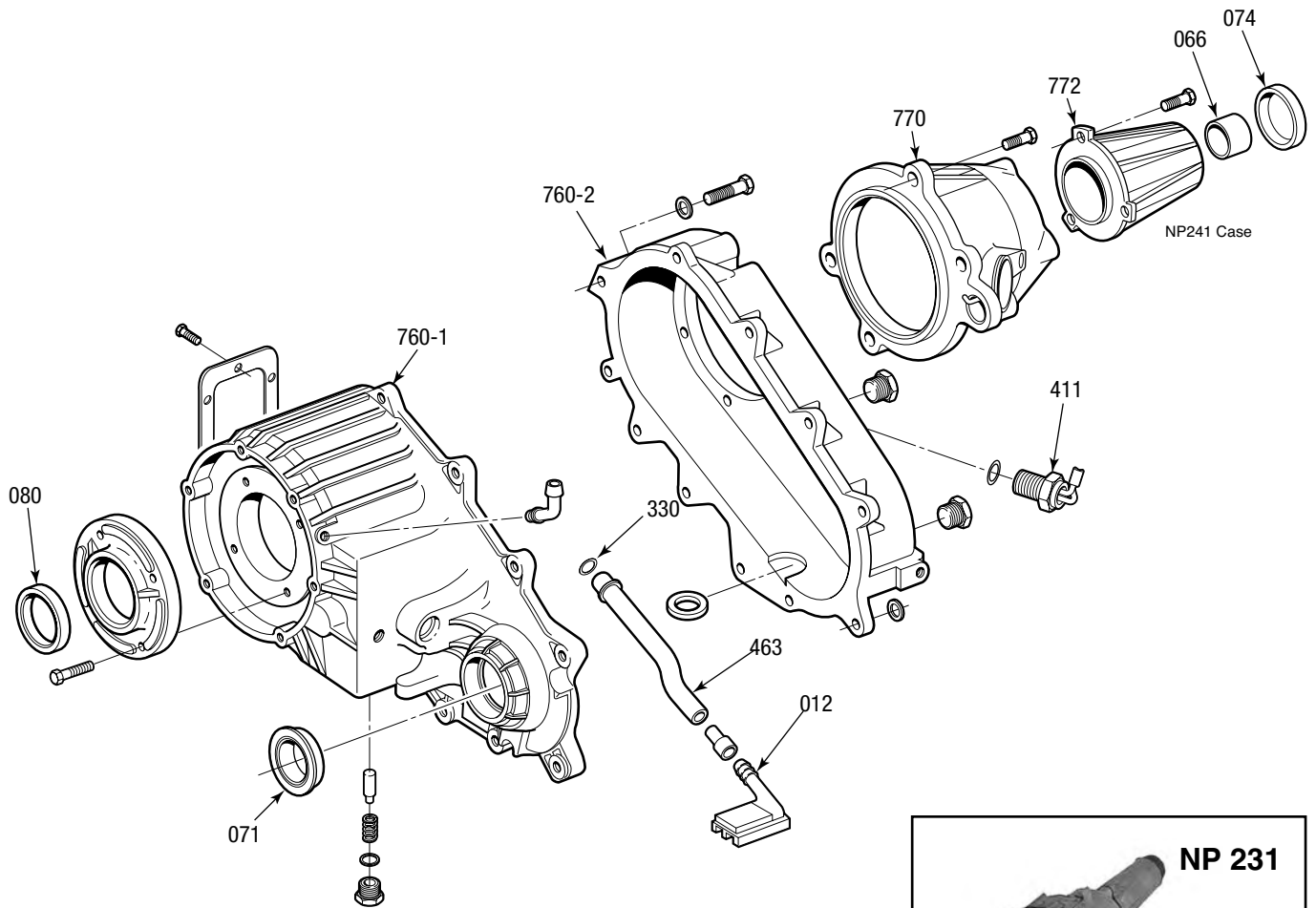


NP 231, NP 233, NP 241, NP 243

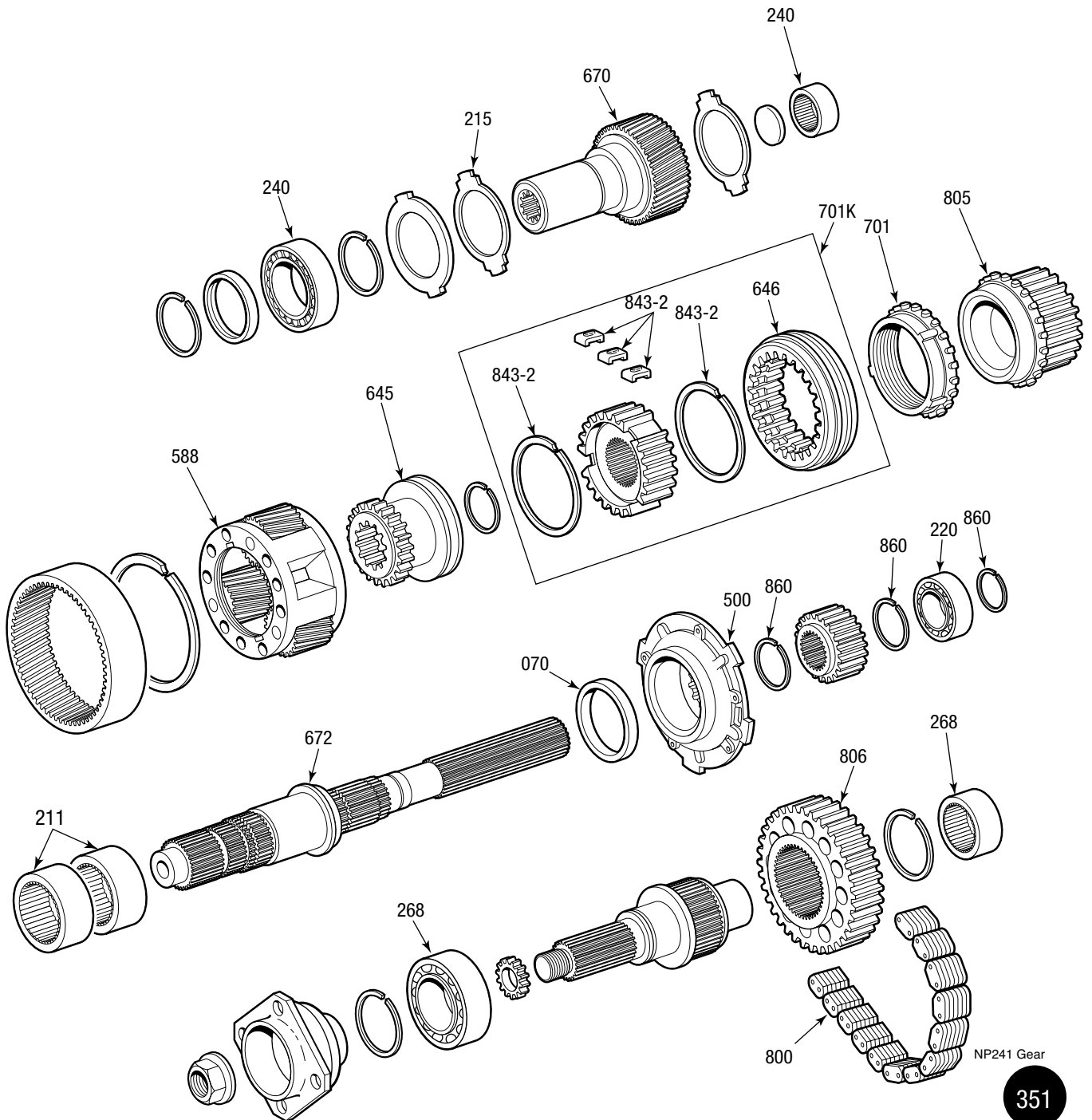


- 351
(NP 231)
- 492
(NP 233)
- 352
(NP 241)
- 391
(NP 243)

NP 231, NP 233, NP 241, NP 243

GM, Dodge, Jeep, Isuzu

NP 231, NP 233, NP 241, NP 243



- 351
(NP 231)
- 492
(NP 233)
- 352
(NP 241)
- 391
(NP 243)

ILL#	Description	Part #	Reference
Bearing Kit			
	NP 231 (uses 24mm Wide Input Bearing) (GM, Dodge, Jeep)	BK231	
	NP 231 (uses 16mm Wide Input Bearing) (GM, Dodge)	BK231A	
	NP 231 (uses 16mm Wide Input Bearing) (Jeep except Liberty)	BK231J	
	NP 231 (uses 16mm Wide Input Bearing) (Jeep Liberty)	BK231JA	
Small Parts Kits			
	NP 231	351001	SP231-50
Gasket & Seal Kits			
	NP 231 (except Jeep)	TSK231	TSK-231
	NP 231 (Jeep except Liberty)	TSK231J	TSK-231J
	NP 231 (Jeep Liberty)	TSK231JA	TSK-231JA
Filters			
012	Pump Screen (Filter)	351012	16217
Seals			
071	Seal, Output (Front) double lip, flanged	321081	15514
071	Seal, Output (Front)	351080A	11778
071	Seal, Output (Rear) (w/ Slip Yoke)	361071	19129
080	Seal, Input (No Flange)	301080	4435
070	Seal, Pump	321070	22306
074	Seal, Rear (Red w/o Boot) Flanged	44074	15041
074	Seal, Rear (Dodge) w/o boot or flange	12074E	15546
074	Seal, Rear (Red w/o Boot) Flanged	44074	15041
Gaskets & O-Rings			
	Transmission to Adapter O-Ring (700-R4, 4L60E, TH350, TH350C)	44348	24064
	Adapter to Transfer Case Gasket (GM)	77143	TC2030-6
330	Oil Pickup Tube O-Ring	411330	AS109
Bearings & Races			
268	Front Output Shaft Bearing (Front)	351268	6206-N
268	Front Output Shaft Bearing (Rear)	331268B	SCE2416
240	Input Bearing (.630" Wide) (94-Up)	351240A	6010-N
240	Input Bearing (.940" Wide) (87-94)	351240	BD50-8
240	Input Needle Assembly	411240	DB59856
211	Drive Sprocket Bearing (.940" Wide)	303211A	HK5020
220	Output Bearing (Rear) (2.439"OD, .629" Thick) (87-94)	351268	6206-N
220	Output Bearing (Rear) (2.833"OD, .668" Thick) (94-Up)	351268A	6207-N
Bushings			
334	Range Fork Bushings (Plastic)	351334	15547404
066	Bushing, Tail Housing (1.500" ID) (GM)	44066	WT266-62
066	Bushing, Tail Housing (1.510" ID) (26 & 27 Spline) Dodge	12066	WT243-62B
066	Bushing, Tail Housing (32 Spline) output	331066	WT297-62
Washers			
215	Planet Thrust Washer (Plastic)	411215	5012367AA
Forks			
850	Mode Fork (Iron) (Cast # 16196)	352850A	16267
850	Mode Fork (30 T) (Late Dodge)	351850	17790
849	Range Fork (Aluminum) (Cast # 17833)	352849A	17833
840K	Fork Insert Kit	321840K	INSK-207
Hubs & Sliders			
646	Mode Slider (24 T)	351646	241-15
646	Mode Slider (30 T)	352646B	17773
645	Range Slider & Hub	351645K	19114

ILL#	Description	Part #	Reference
Synchronizers			
701K	Mode Assembly (Complete)	351701K	17915
701	Mode Synchro (24 T)	351701	241-14
701	Mode Synchro (60 T)	351701A	17779
Pumps			
500	Pump Assembly	351500	16209
Planets			
588	Planet (6 Pinion) used w/ .630" Wide # 6010-N Input Bearing (94-Up)	351588A	17869
588	Planet (6 Pinion) used w/ .940" Wide # BD50-8 Input Bearing (87-94)	351588	16550
Shafts			
670	Input Shaft (21 Spline) (4 1/8") Jeep w/ .940" Wide Input Bearing	351670	53006083
670	Input Shaft (23 Spline) (4 1/4") Dodge w/ .940" Wide Input Bearing	361670A	17449
670	Input Shaft (23 Spline) (5 1/8") w/ .940" Wide Input Bearing (Jeep)	371670B	17822
670	Input Shaft (23 Spline) (5 1/8") w/ .630" Wide Input Bearing (Dodge)	352670CC	17949
672	Main Shaft (26 Spline) (18 3/8") Dodge	351672	16353
	Jeep Short Shaft Conversion Kit: Main Shaft, Yoke, Instructions, Speedo,Small Parts & Tail Housing / Bearing Support	351672AK	50-7906
		351672AK	50-7906
Cases & Housings			
760-1	Case Half (Front) (Cast # 16118)	351760-1	20357
760-2	Case Half (Rear)	351760-2	16721
772	Tail Housing, 5 3/4" (Cast # 16354)	351772	16354
772	Tail Housing, Slip Yoke (Cast # 16258) Large Seal	351772A	17477
Sprockets			
805	Drive Sprocket, Dodge, Large Mode Assembly, 30T	351805	19043
806	Driven Sprocket (1.25" Wide Chain)	351806	16619
Chains			
800	Chain (1.00" Wide) 36 Links (89-Up)	HV-027	TC10-027
800	Chain (1.25" Wide) 31 Links (88-Up)	HV-022	TC10-022
Miscellaneous Components			
	Shift Actuator (GM)	492421	25031740
411	Vacuum Switch (3 Prong)	321411	15664811
411	Vacuum Switch (4 Prong)	351411B	15832
860	Snap Ring, Output Bearing (Rear) (32 Spline Shaft) Late Dodge	351860A	1300-139-027

ILL#	Description	Part #	Reference
Bearing Kit			
	NP 233 (GM, Isuzu) (uses 16mm Wide Input Bearing)	BK230	
	NP 233 (GM, Isuzu) (uses 24mm Wide Input Bearing)	BK230A	
	NP 233 (Dodge)	BK430	
Small Parts Kits			
	NP 233	492001	SP233-50
Gasket & Seal Kits			
	NP 233 (GM, Isuzu)	TSK233	TSK-233
	NP 233 (Dodge)	TSK233D	TSK-233D
Filters			
012	Pump Screen (Filter)	351012	16217
Seals			
071	Seal, Output (Front) double lip, flanged	321081	15514
071	Seal, Output (Front) (Slip Yoke)	351080A	11778
080	Seal, Input (No Flange)	301080	4435
070	Seal, Pump	321070	22306
074	Seal, Rear	44074	15041
Gaskets & O-Rings			
	Adapter to Transfer Case Gasket (GM)	77143	TC2030-6
333	Shifter O-Ring	351333	4167963
Bearings & Races			
268	Front Output Shaft Bearing (Front)	351268	6206-N
268	Front Output Shaft Bearing (Rear)	331268B	SCE2416
240	Input Bearing (Inner)	411240	DB59856
240	Input Bearing (.630" Wide)	351240A	6010-N
240	Input Bearing (.940" Wide)	351240	BD50-8
220	Output Bearing (Rear) (35mm ID)	331268	207
Bushings			
066	Bushing, Tail Housing (27 Spline) (1.500" ID)	44066	WT266-62
066	Bushing, Tail Housing (32 Spline)	331066	WT297-62
Washers			
215	Planet Thrust Washer (Plastic)	411215	5012367AA
Forks			
850	Mode Fork (Iron) (Cast # 16196)	352850A	16267
850	Mode Fork (30 T)	351850	17790
849	Range Fork (Aluminum) (Cast # 17833)	352849A	17833
	Fork Insert (29mm Long)	411850-1A	4338376
	Fork Insert (52mm Long)	411850-1	4167969
	Mode Fork Insert (45mm Long)	321700-2A	4219073
Hubs & Sliders			
646	Mode Slider (24 T)	351646	241-15
646	Mode Slider (30 T)	352646B	17773
645	Range Slider & Hub	351645K	19114
Synchronizers			
701K	Mode Assembly (Complete)	351701K	17915
701	Mode Synchro (24 T)	351701	241-14
701	Mode Synchro (60 T)	351701A	17779
Pumps			
500	Pump Assembly	351500	16209

ILL#	Description	Part #	Reference
Planets			
588	Planet (6 Pinion) used w/ .630" Wide # 6010-N Input Bearing (94-Up)	351588A	17869
Cases & Housings			
760-2	Case Half (Rear)	351760-2	16721
772	Tail Housing (Large Seal)	351772A	17477
Sprockets			
806	Driven Sprocket (1.25" Wide Chain)	351806	16619
Chains			
800	Chain (1.00" Wide) 36 Links (89-Up)	HV-027	TC10-027
800	Chain (1.25" Wide) 31 Links (88-Up)	HV-022	TC10-022
Miscellaneous Components			
	Shift Actuator (GM)	492421	25031740
	Shift Motor	492420	15636696
	Speed Sensor (K Models up to 2000, S Models up to 2005)	492436	15547452
411	Vacuum Switch (3 Prong)	321411	15664811
860	Snap Ring, Main Shaft (32 Spline)	492860	1300-139-007
463	Pickup Tube	351463	15546611

NP 241

(use NP 231 illustration pages)

GM, Dodge, Jeep

NP 241

ILL#	Description	Part #	Reference
Bearing Kit			
	NP 241HD (uses 16mm Wide Input Bearing, 1 piece Tail Housing)	BK241B	
(Dodge 97-02 5.9L 6 cyl, 5.9L 8 cyl & 8.0L)		
	NP 241 (uses 16mm Wide Input Bearing, 2 piece Tail Housing)	BK241A	
(Dodge 94-96 5.9L 6 cyl, 94-01 5.9L 8 cyl, 94-01 5.2L, 94-96 8.0L)		
	NP 241 (uses 24mm Wide Input Bearing, Passenger Side Front Output Shaft)	BK241D	
(Dodge 88-92 5.2L & 5.9L 8 cyl)		
	NP 241HD (uses 24mm Wide Input Bearing, 1 piece Tail Housing)	BK241C	
(Dodge 97-02 5.9L 6 cyl, 5.9L 8 cyl & 8.0L)		
	NP 241 (uses 24mm Wide Input Bearing, 2 piece Tail Housing)	BK241	
(Dodge 94-96 5.9L 6 cyl, 93-01 5.9L 8 cyl, 93-01 5.2L, 94-96 8.0L)		
	NP 241 (uses 24mm Wide Input Bearing, Manual Shift)	BK241E	
(Dodge 02-Up 4.7L, 03-Up 5.2L Hemi, 02 5.9L 8 cyl)		
	NP 241 (GM) (uses 24mm Wide Input Bearing)	BK241	
	NP 241 (GM) (uses 16mm Wide Input Bearing)	BK241A	
	NP 241 (Jeep) (Wrangler, Rubicon Special Only)	BK241J	
Small Parts Kits			
	NP 241, NP 241HD (GM, Dodge)	352001	SP241-50
Gasket & Seal Kits			
	NP 241HD (uses 16mm Wide Input Bearing, 1 piece Tail Housing)	TSK241A	
(Dodge 97-02 5.9L 6 cyl, 5.9L 8 cyl & 8.0L)		
	NP 241 (uses 16mm Wide Input Bearing, 2 piece Tail Housing)	TSK241	
(Dodge 94-96 5.9L 6 cyl, 94-01 5.9L 8 cyl, 94-01 5.2L, 94-96 8.0L)		
	NP 241 (uses 24mm Wide Input Bearing, Passenger Side Front Output Shaft)	TSK241	
(Dodge 88-92 5.2L & 5.9L 8 cyl)		
	NP 241HD (uses 24mm Wide Input Bearing, 1 piece Tail Housing)	TSK241A	
(Dodge 97-02 5.9L 6 cyl, 5.9L 8 cyl & 8.0L)		
	NP 241 (uses 24mm Wide Input Bearing, 2 piece Tail Housing)	TSK241	
(Dodge 94-96 5.9L 6 cyl, 93-01 5.9L 8 cyl, 93-01 5.2L, 94-96 8.0L)		
	NP 241 (uses 24mm Wide Input Bearing, Manual Shift)	TSK241D	
(Dodge 02-Up 4.7L, 03-Up 5.2L Hemi, 02 5.9L 8 cyl)		
	NP 241 (GM)	TSK208	
	NP 241 (Jeep)	TSK241J	
Filters			
012	Pump Screen (Filter) (GM, Dodge)	351012	16217
Seals			
071	Seal, Output (Front)	305071	18662
080	Seal, Input	301080	4435
070	Seal, Pump	321070	22306
074	Seal, Output (Rear) (w/ Slip Yoke) (2.58" OD)	361071	19129
074	Seal, Output (Rear) (Flanged) w/o Boot	44074	15041
074	Seal, Output (Rear) (Bolt On Yoke Type) (Dodge)	424071	4741920
Gaskets & O-Rings			
	Adapter to Transfer Case Gasket (GM)	331304B	TC2030-12
	Transmission to Adapter Gasket (Dodge)	22305AB	
	Adapter to Transfer Case Gasket	331304	
330	Oil Pickup Tube O-Ring	411330	AS109
333	Selector Shaft O-Ring	351333	4167963
Bearings & Races			
268	Front Output Shaft Bearing (Front)	331268	207
268	Front Output Shaft Bearing (Front) (35mm ID)	342240	6307-N
268	Front Output Shaft Bearing (Rear)	331268B	SCE2416
240	Input Bearing (.630" Wide)	351240A	6010-N
240	Input Bearing (.940" Wide) (BD50-8)	351240	BD50-8

ILL#	Description	Part #	Reference
Bearings & Races (continued)			
240	Input to Main Shaft Pocket Bearing	411240	DB59856
240	Input to Main Shaft Needle Type Pocket Bearing (NP 241HD)	426267	SCE2110
211	Mode Sprocket Bearing (.940" Wide)	303211A	HK5020
220	Output Bearing (Rear) (35mm ID)	331268	207
220	Output Bearing (Rear) (.630" Wide) use w/ 352672	352268A	BB1-1015
Bushings			
066	Bushing, Tail Housing (Slip Yoke Type)	331066	WT297-62
066	Bushing, Tail Housing (31 Spline app.)	334066	18172
334	Range Fork Bushing	351334	15547404
Washers			
215	Planet Thrust Washer (Plastic)	411215	5012367AA
Forks			
850	Mode Fork (Suburban)	352850	17025
850	Mode Fork (Iron) (Cast # 16196) (GM Truck, Dodge)	352850A	16267
850	Mode Fork (Cast # 16342-B)	352850	17025
849	Range Fork (Aluminum) (Cast # 17833)	352849A	17833
849	Range Fork (Stamp # 338)	352849	16337
849	Range Fork (Iron) (Cast # C-17524)	352849B	17543
	Fork Insert Kit	321840K	INSK-207
Collars			
645	Range Collar (NP 241HD)	352861	4746128
645	Range Collar (NP 241HD) Retained on Tube w/ Snap Ring	352825	17522
Sliders			
646	Mode Slider (24 T)	351646	241-15
646	Mode Slider (30 T)	352646B	17773
645	Range Slider & Hub (NP 241)	351645K	19114
	Range Slider Tube (NP 241HD)	352463	17521
Synchronizers			
701K	Mode Assembly (Complete) (NP 241)	351701K	17915
701	Mode Synchro (24 T) (NP 241)	351701	241-14
701	Mode Synchro (60 T) (NP 241HD)	351701A	17779
843-2	Key & Spring Kit (NP 241)	331843-2K	NP208-K
843-2	Key & Spring Kit (NP 241HD)	331843A-2K	NP241-K
Pumps			
500	Pump Assembly (31 Spline)	352500	24956
500	Pump Assembly (32 Spline)	351500	16209
Planets			
588	Planet (NP 241) used w/ .630" Wide Input Bearing	351588A	17869
588	Planet (NP 241) used w/ .940" Wide Input Bearing	351588	16550
588	Planet (NP 241HD) used w/ .630" Wide Input Bearing	352588B	17944
588	Planet (NP 241HD) used w/ .940" Wide Input Bearing	352588C	17517
Input Shafts (23 & 27 Spline)			
670	Input Shaft (23 Spline) (4 1/4") w/ .630" Wide Input Bearing	352670DA	21288
670	Input Shaft (23 Spline) (5 1/8") w/ .630" Wide Input Bearing	352670CC	17949
670	Input Shaft (23 Spline) (5 1/8") w/ .940" Wide Input Bearing	371670B	17822
670	Input Shaft (23 Spline) (5") w/ .630" Wide Input Bearing	352670CG	22390
670	Input Shaft (23 Spline) (5") w/ .940" Wide Input Bearing	352670CB	17953
670	Input Shaft (27 Spline) w/ .630" Wide Input Bearing	352670B	19020
670	Input Shaft (27 Spline) w/ .940" Wide Input Bearing	352670D	16959

NP 241

(use NP 231 illustration pages)

GM, Dodge, Jeep

NP 241

ILL#	Description	Part #	Reference
Input Shafts (29 & 32 Spline)			
670	Input Shaft (29 Spline) (5") w/ .630" Wide Input Bearing	352670EA	22409
670	Input Shaft (29 Spline) (5") w/ .940" Wide Input Bearing	352670CD	17954
670	Input Shaft (32 Spline GM) w/ .630" Wide Input Bearing	391670	19019
670	Input Shaft (32 Spline GM) w/ .940" Wide Input Bearing	352670C	17118
Main Shafts			
672	Main Shaft (31 Spline Dodge) (19 7/16")	352672	4883579AA
672	Main Shaft (32 Spline Dodge) (18 1/2") w/ .630" Wide Input Bearing	352672B	4778949
672	Main Shaft (32 Spline Dodge) (19 7/16")	352672A	20480
Cases & Housings			
760-2	Case Half (NP 241HD) (Rear) (Cast # 17547)	352760-2	21653
770	Rear Bearing Housing w/ Speedo (NP 241HD) (Cast # 21655)	352770	21654
772	Tail Housing, Slip-Yoke (NP 241HD) (Cast # 16258)	352772	4746150
Sprockets			
805	Mode Sprocket (NP 241)	352805	241-235
805	Mode Sprocket (NP 241HD) (1 1/8" Wide)	352805B	17814
805	Mode Sprocket (NP 241HD) (1 3/8" Wide)	352805A	17813
Chains			
800	Chain (1.25" Wide) 36 Links (Rocker Pins)	HV-014	TC10-014
800	Chain (1.25" Wide) 36 Links (Round Pins)	HV-025	TC10-025
800	Chain (1.50" Wide) 36 Links (Round Pins)	HV-031	TC10-031
Miscellaneous Components			
	Shift Actuator (GM) (also fits NP 243, NP 263)	401421	26013495
	Speed Sensor (K Models up to 2000, S Models up to 2005)	492436	15547452
411	Vacuum Switch (4 Prong)	351411B	15832
860	Snap Ring, Output Bearing (Rear)	351860A	1300-139-027
860	Snap Ring, Rear Main Shaft (Pump Gear Side)	352860B	4883597AA

ILL#	Description	Part #	Reference
Bearing Kit			
	NP 243 (Dodge)	BK449	
	NP 243 (GM)	BK332	
Small Parts Kits			
	NP 243	391001	SP243-50TC
Gasket & Seal Kits			
	NP 243 (Dodge)	TSK241D	TSK-241D
	NP 243 (GM)	TSK243	TSK-243
Filters			
012	Pump Screen (Filter)	351012	16217
Seals			
071	Seal, Output (Front)	305071	18662
080	Seal, Input (No Flange)	301080	4435
070	Seal, Pump	321070	22306
074	Seal, Rear	44074	15041
Gaskets & O-Rings			
	Adapter to Transfer Case Gasket	331304A	15704050
Bearings, Races, Bushings & Washers			
268	Front Output Shaft Bearing (Front)	331268	207
268	Front Output Shaft Bearing (Rear)	331268B	SCE2416
240	Input Bearing (Inner)	411240	DB59856
240	Input Bearing (.630" Wide)	351240A	6010-N
220	Output Bearing (Rear) (35mm ID)	331268	207
066	Tail Housing Bushing	331066	WT297-62
215	Planet Thrust Washer (Plastic)	411215	5012367AA
Forks & Sliders			
850	Mode Fork	492850A	24668
849	Range Fork	391849	17991
840K	Fork Insert Kit	321840K	INSK-207
646	Mode Slider (24 T)	351646	241-15
645	Range Slider & Hub	492645K	17982
Synchronizers			
701K	Mode Assembly (Complete)	351701K	17915
701	Mode Synchro	391701	20938
843-2	Mode Key & Spring Kit	331843-2K	NP208-K
Pumps & Planets			
500	Pump Assembly	351500	16209
463	Pump Pickup Tube	351463	15546611
588	Planet (6 Pinion)	351588A	17869
Shafts			
670	Input Shaft (27 Spline) w/ .630" Wide Input Bearing	352670B	19020
670	Input Shaft (32 Spline)	391670	19019
Miscellaneous Components			
805	Drive Sprocket	391805	20939
800	Chain (1.25" Wide) 36 Links (Round Pins)	HV-025	TC10-025
	Shift Actuator (GM) (also fits NP 241, NP 263)	401421	26013495
	Shift Motor (OE #'s 88996604, 12386247)	391420	12386247
	Speed Sensor (K Models up to 2000, S Models up to 2005)	492436	15547452
860	Snap Ring, Output Bearing (Rear)	351860A	1300-139-027