



SPICER LIFE™ LIGHT VEHICULAR CARDAN UNIVERSAL JOINTS

**ADVANCED COMPONENT
DESIGN FOR LONGER LIFE AND
IMPROVED PERFORMANCE**

Always an Industry First

Spicer is a name known around the world for innovations in driveshaft technology. With an unparalleled commitment to the design and development of new driveshaft components, it's no wonder Spicer has produced a number of significant industry innovations. Spicer Life Series®, for example, is setting the pace in driveshaft innovation. The pay off, as the name implies, is extended life. Every component in the Spicer Life universal joint has been engineered for reduced wear and longer service life. And, the initial design was so well done it won the first "Automotive News" PACE (Premier Automotive Suppliers Contributions to Excellence) award.

Composite Thrust Washer

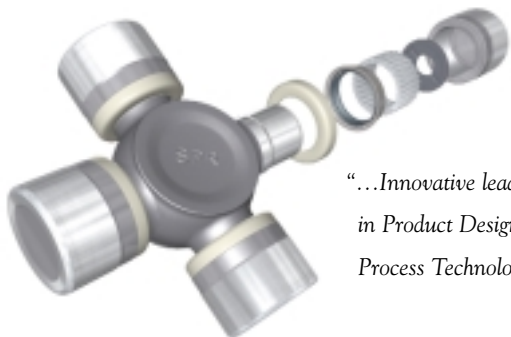
A composite thrust washer eliminates metal-to-metal contact between the trunnion end and bearing cup. It prevents wear, end galling and lowers the overall operating temperature of the universal joint kit.

New Triple-Lip Seal

The new triple-lip seal in the Spicer Life Series kit enhances grease retention and prevents contamination in the bearing assembly by riding on precision ground surfaces.

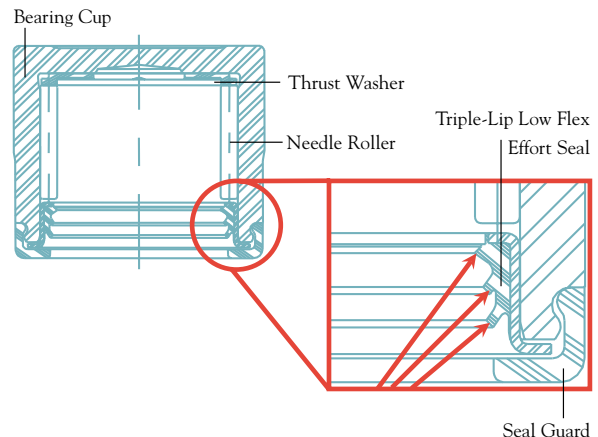
Thermo-Plastic Seal Guard

A protective plastic seal guard furthers the prevention of external contamination and secures the bearing cup assembly onto the trunnion of the journal cross.



"...Innovative leadership in Product Design and Process Technology"

**SPICER LIFE SERIES
CARDAN BEARING CUP ASSEMBLY**



CONTACT INFORMATION

Spicer Driveshaft Division
 Dana Corporation
 P.O. Box 955
 Toledo, Ohio 43697-0955
 Phone: 419-866-2600
 Fax: 419-866-2616
 www.spicerdriveshaft.com

QS-9000 Certified

Spicer Driveshaft Division...
 Dedicated to Total Quality
 and Continuous Improvement.

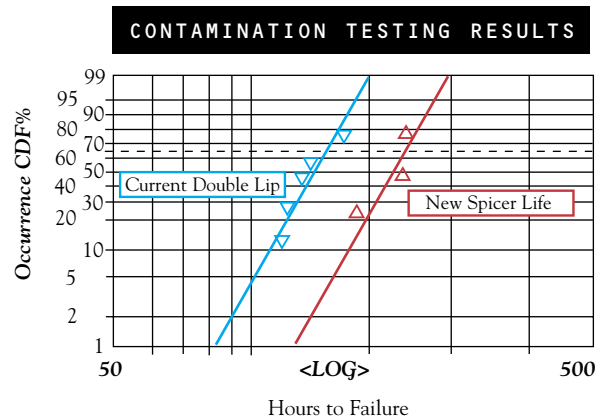
3261 SDD 9/99 ©Dana Corporation, 1999
 1.5 M

Proven Performance

Spicer's globally integrated engineering staff designed and developed the Spicer Life universal joint kit to provide lifetime service on passenger car and light truck applications.

Exhaustive performance tests include static and fatigue tests, dynamic

load-life durability tests, environmental tests and millions of in-vehicle test miles. Results of our contamination testing have shown over a 50% increase in life over the current product.



UNIVERSAL JOINT CROSS-OVER INDEX

Series	Current Kit	New Kit
1310	5-625X	SPL22-1X
1310 / Ford 1-1/8"	5-632X	SPL22-3X
1310 / 7260	5-634X	SPL22-4X
1330	5-618X	SPL25-1X
1330 / Ford 1-1/8"	5-633X	SPL25-3X
1330 / S44	5-619X	SPL25-4X
S44 / S44	5-635X	SPL25-6X
1330 / 7290	5-737X	SPL25-7X
7290 / 7290	5-636X	SPL25-9X
1350	5-627X	SPL30-1X
1410	5-641X	SPL36-1X

Tap into the Spicer System, Worldwide

Spicer can satisfy the full scope of your driveline requirements—with quick, efficient turnaround to speed your product to market.

Designing and manufacturing quality components on a global scale means we can help in logistic and local content issues like no other supplier. From driveshafts to transfer cases, to cardan or CV joints, to axles to wheel ends, Spicer is your one-source solution.

Contact Spicer driveshaft engineering to discuss your applications today.

AUTOMOTIVE SYSTEMS GROUP
 WWW.SPICERDRIVESHAFT.COM



People Finding A Better Way®